



HSM 208F



Kombi Model



Technik die Freude macht.

Technical data 208F Kombi

Brake:

- Brake with 2-circles, oil-cooled multiple-disc power-brake
- Spring accumulator - parking brake

Steering:

- Articulated frame steering with 2 cylinders
- 45° steering angle

Cabin:

- Raisable to side on parallel linkages
- ROPS, FOPS, OPS tested
- Rotary seat with pedals in front and rear
- Wiper in front and rear, optional on the side
- Air cushioned seat with seat heating
- Hot-water heating
- Air conditioning

Electrical system / Instruments:

- HSM Ecommand colour-display
- 5 operator programs + factory setting
- Diagnosis-tool and error-indication
- Graphic support at parameter editing
- Generator 110 A (28 V)
- 2 service-free dry batteries á 75 Ah

Power train:

- NAF 2 speed transfer gearbox
- HSM High Speed Drive (serial 71); speed at 1st gear 0-14 km/h

208F 4 cylinder

Engine (10 t):

- VOLVO PENTA
TAD583VE EU Stage V
Power: 175 kW (238 HP) at 1750 rpm
max. revolution: 947 Nm at 1200 - 1750 rpm
max. torque: 969 Nm at 1380 rpm
Displacement: 5,13 liter

Hydraulic system:

- Load sensing
- Variable pump (working pump):
flow rate: 232 l/min at 1600 rpm
pressure: up to max. 350 bar
- Hydraulic fluid: saturated, synthetic ester Panolin HLP SYNTH with Kleenoil microfiltration; WGK 1

Tank capacity:

- Diesel: 170 l
- AdBlue: 25 l
- Hydraulic fluid: 130 l

Standard equipment:

- 14 LED-working headlight at cabin
- 4 working headlights at crane
- Potential transformer 24 V - 12 V
- Radio with CD
- Fire extinguisher
- First aid kit
- Warning triangle
- Tool kit
- Cooling box
- Reversing camera with color monitor
- Rear headlights
- Twist lock with 2 hydraulic cylinders

Special equipment:

- Front dozer-blade
- Tandem axle lift (Bogielift) front
- Turnable rung
- Last rung plugged
- Tilttable crane
- Quick-change system for rungs
- Clambunk
- Auxiliary heating
- Bogie-tracks
- Radio control for winch
- Drive by radio
- Sun blinds
- Pluggable front grid
- Cab suspension
- Other options on request

208F 6 cylinder

Engine:

- VOLVO PENTA
TAD881VE EU Stage V
Power: 185 kW (252 HP) at 1600 rpm
max. revolution: 1150 Nm at 1100 - 1500 rpm
max. torque: 1175 Nm at 1400 rpm
Displacement: 7,7 liter
- Optional:
- VOLVO PENTA
TAD882VE EU Stage V
Power: 210 kW (286 HP) at 1700 rpm
max. revolution: 1225 Nm at 1100 - 1600 rpm
max. torque: 1255 Nm at 1400 rpm
Displacement: 7,7 liter

Hydraulic system:

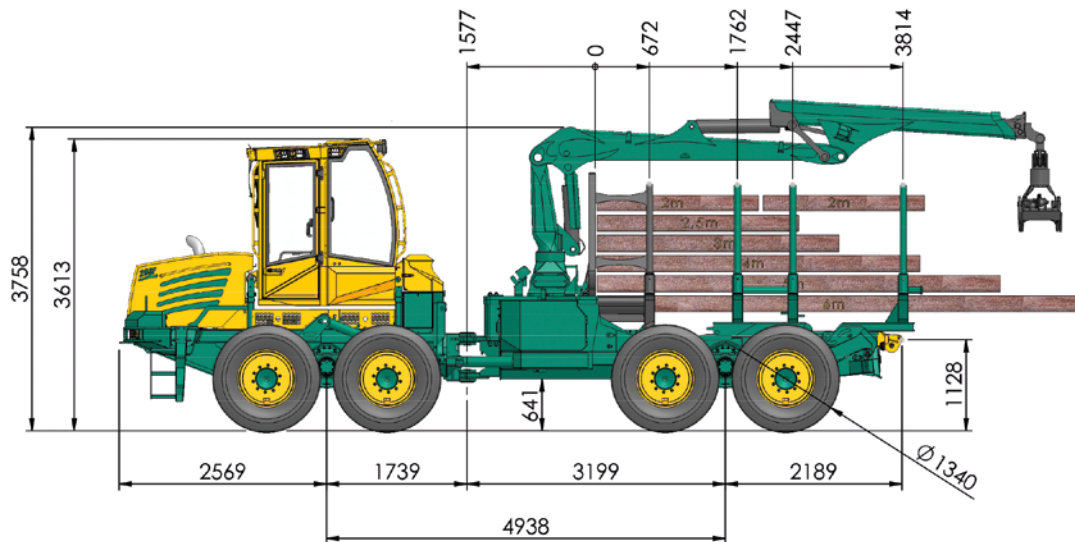
- Load sensing
- Variable pump (working pump):
flow rate: 304 l/min at 1600 rpm
pressure: up to max. 350 bar
- Hydraulic fluid: saturated, synthetic ester Panolin HLP SYNTH with Kleenoil microfiltration; WGK 1

Tank capacity:

- | | | |
|--------------------|-------------|-------|
| | 11 t / 12 t | 14 t |
| • Diesel: | 190 l | 225 l |
| • AdBlue: | 45 l | 45 l |
| • Hydraulic fluid: | 130 l | 130 l |

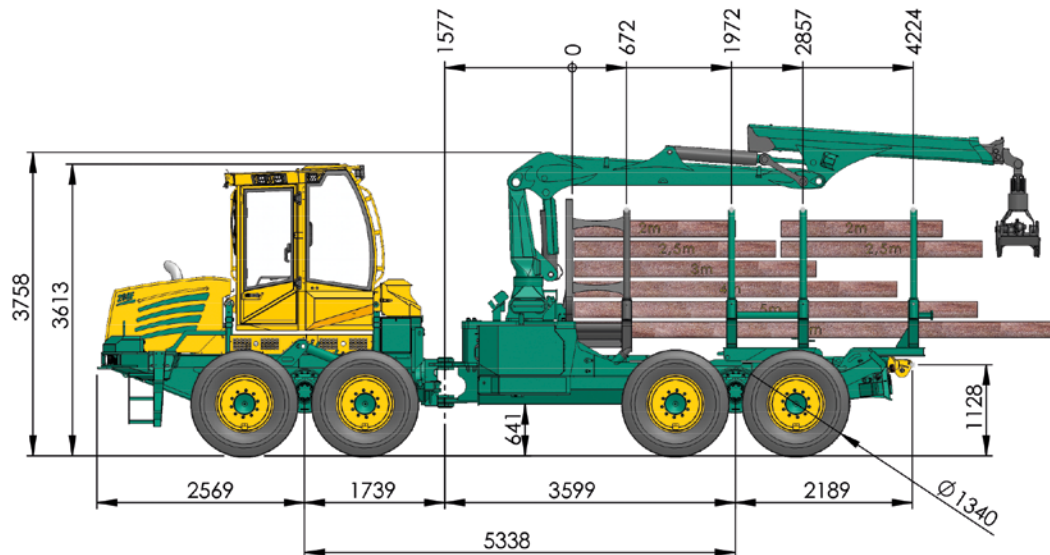
208F 10 t Kombi short

4 cylinder



208F 10 t Kombi long

4 cylinder



Weight short / long:

- from 16 700 kg / 16 900 kg (serial)

Load capacity:

- 10 t

Winches:

- Serial: Adler double-drum-winch HY 20 (2x100 kN)
max. rope capacity 100 m at 14 mm
- Optional: Adler double-drum-winch HY 24 SG (2x120 kN)
max. rope capacity 130 m at 14 mm
Adler double-drum-winch HY 32 L-SG (2x160 kN)
max. rope capacity 140 m at 16 mm

Crane:

- Serial: Epsilon M70 F80
- Other cranes behold crane-list

Tyres:

- Serial: 710/45x26,5 min. width: 2600 mm

By using tracks the min. width will change (+100 mm).
Other tyres on request.

Standard equipment:

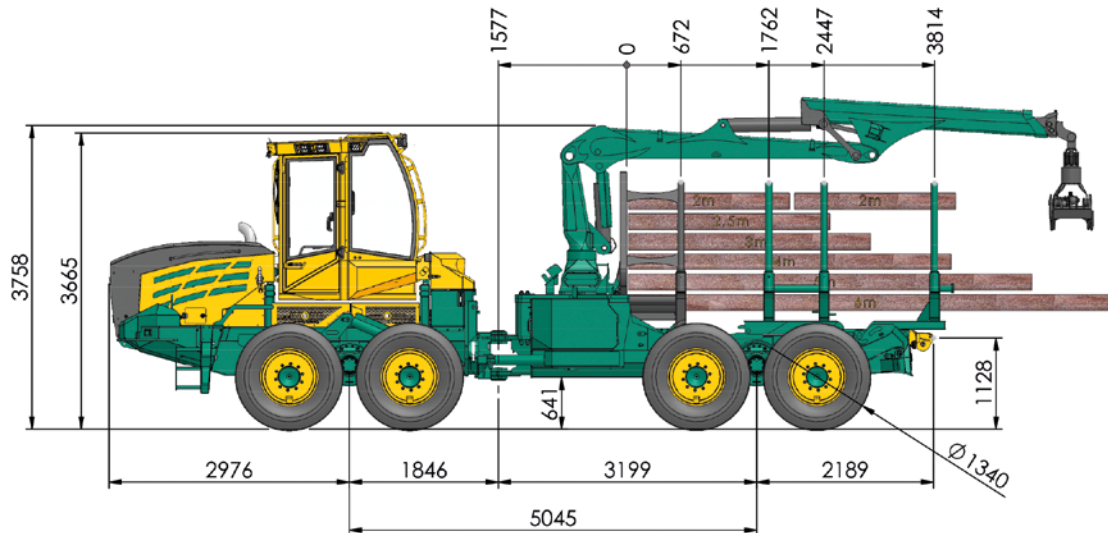
- Grid and first rung demountable
- Last rung demountable and displaceable to loading length
(short) 2,4 m, 3,2 m and 3,8 m
(long) 2,8 m, 3,6 m and 4,2 m
- Roller-block, high adjustable
- Cross section 3,3 m²

Special equipment:

- Fear blade
- Clambunk with quick-change system
- Twin-rung as 2nd and 3rd rung on quick-change system
- Turnable rung
- Tilttable crane
- Tandem axle lift (Bogielift) rear
- Other options on request

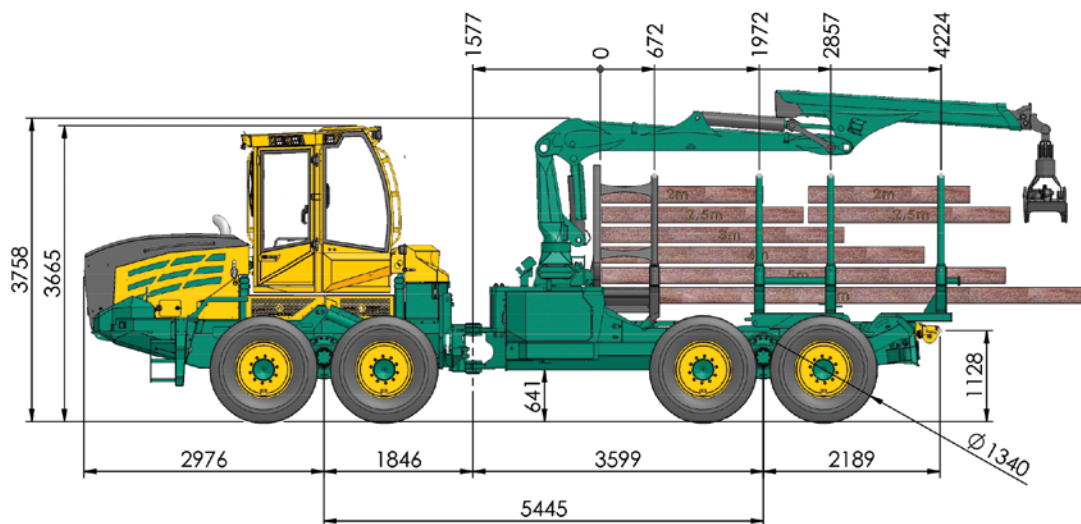
208F 11 t Kombi short

6 cylinder



208F 11 t Kombi long

6 cylinder



Weight short / long:

- from 18600 kg / 18800 kg (serial)

Load capacity:

- 11 t

Winches:

- Serial: Adler double-drum-winch HY 20 (2x100 kN)
max. rope capacity 100 m at 14 mm
- Optional: Adler double-drum-winch HY 24 SG (2x120 kN)
max. rope capacity 130 m at 14 mm
Adler double-drum-winch HY 32 L-SG (2x160 kN)
max. rope capacity 140 m at 16 mm

Crane:

- Serial: Epsilon M70 F80
- Other cranes behold crane-list

Tyres:

- Serial: 710/45x26,5 min. width: 2600 mm

By using tracks the min. width will change (+100 mm).
Other tyres on request.

Standard equipment:

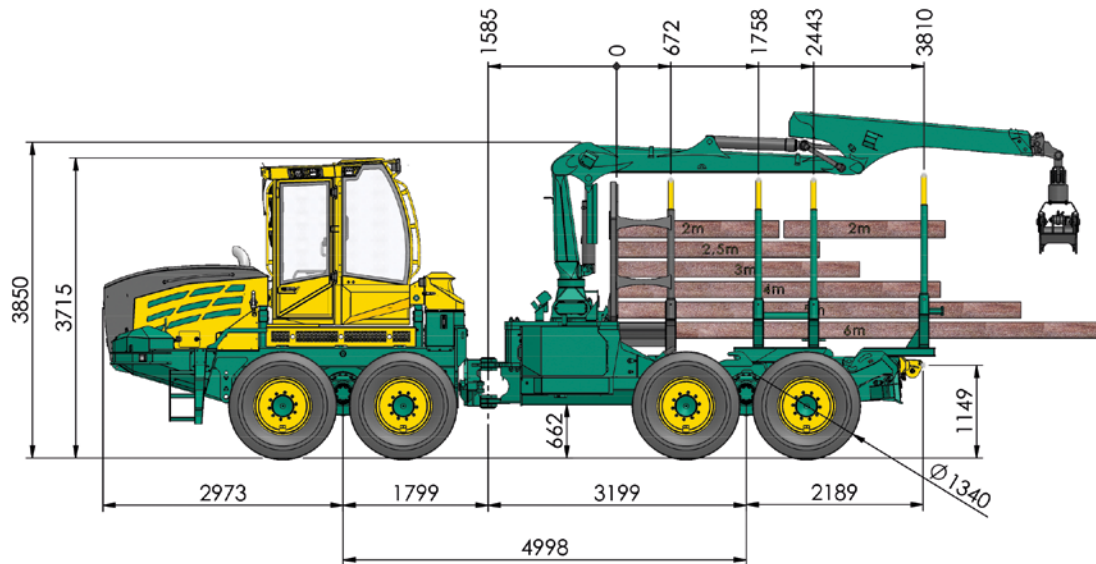
- Grid and first rung demountable
- Last rung demountable and displaceable to loading length
(short) 2,4 m, 3,2 m and 3,8 m
(long) 2,8 m, 3,6 m and 4,2 m
- Roller-block, high adjustable
- Cross section 3,3 m²

Special equipment:

- Fear blade
- Clambunk with quick-change system
- Twin-rung as 2nd and 3rd rung on quick-change system
- Turnable rung
- Tilttable crane
- Tandem axle lift (Bogielift) rear
- Other options on request

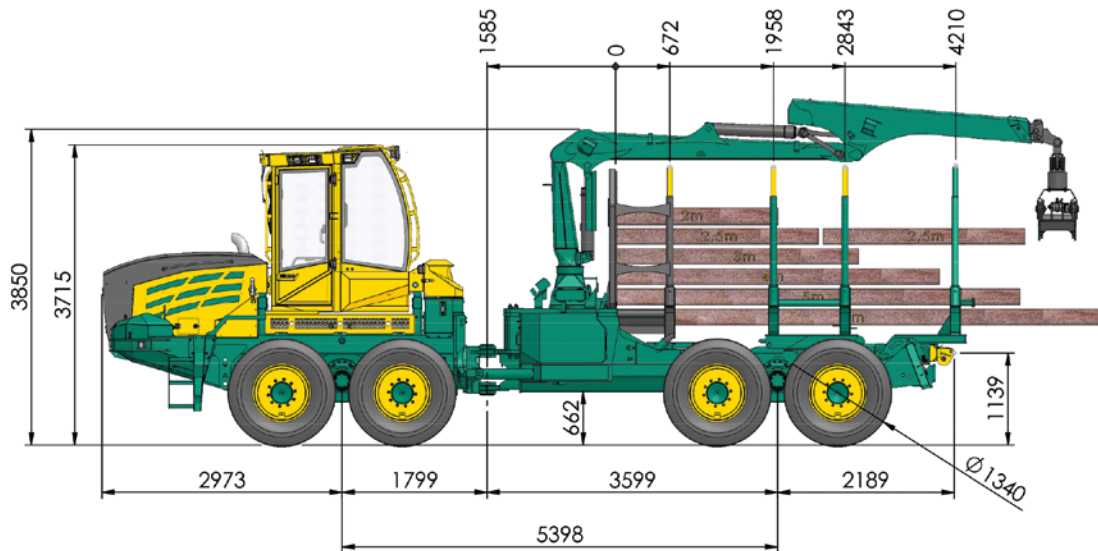
208F 14 t Kombi short

6 cylinder



208F 14 t Kombi long

6 cylinder



Weight short / long:

- from 19000 kg / 19200 kg (serial)

Load capacity:

- 14 t

Winches:

- Serial: Adler double-drum-winch HY 20 (2x100 kN)
max. rope capacity 100 m at 14 mm
- Optional: Adler double-drum-winch HY 24 SG (2x120 kN)
max. rope capacity 130 m at 14 mm
- Adler double-drum-winch HY 32 L-SG (2x160 kN)
max. rope capacity 140 m at 16 mm

Crane:

- Serial: Epsilon M70 F80
- Other cranes behold crane-list

Tyres:

- Serial: - 710/45x26,5 min. width: 2850 mm

Standard equipment:

- Grid and first rung demountable
- Last stanchion can be removed and adjusted to
Kombi short: 2.4 m, 3.2 m and 3.8 m
Kombi long: 2.8 m, 3.6 m and 4.2 m
- Height-adjustable roller block
- Cross section 3.8 m²

Special equipment:

- Rear blade
- Clambunk with quick-change system
- Twin-rung as 2nd and 3rd rung on quick-change system
- Turnable rung
- Tilttable crane
- Other options on request

The variable rear

HSM Crane-list



Last stanchion variable in "short" position



Last stanchion variable in "centre" position



Last stanchion variable in "long" position



Quick-change twin stanchion for 2 x 2 or 2 x 2.5 m wood (not for 805F short version)



Height-adjustable pulleys Up to 2 m



Rope forwarding possible Without reconfiguring the stanchion



Log forwarding with quick-change clamping workbench



Rope forwarding possible without reconfiguring the clamping workbench

		X = available against surcharge	O = standard equipment	# = not available	208F Kombi		
	Crane typ	Lifting moment	Range	Gripper type	10 t	11 t	14 t
EPSILON	C60 F69	82/63 kNm	6,9 m	FG43S	#	#	#
	C60 F86	82/51 kNm	8,6 m	FG43S	#	#	#
	M70 F80	102/68 kNm	8,0 m	FG43S	O	O	O
	M70 F86	102/68 kNm	8,6 m	FG43S	X	X	X
	M70 F101	102/65 kNm	10,1 m	FG43S	X	X	X
	M80 F80	114/79 kNm	8,0 m	FG43S	X	X	X
	M80 F86	114/79 kNm	8,6 m	FG43S	X	X	X
	M80 F101	114/75 kNm	10,1 m	FG43S	X	X	X
	S100 F80	128/91 kNm	8,0 m	FG43S	X	X	X
	S100 F86	128/90 kNm	8,6 m	FG43S	X	X	X
	S100 F101	128/86 kNm	10,1 m	FG43S	X	X	X
	S110 F80	143/104 kNm	8,0 m	FG43S	X	X	X
	S110 F86	143/104 kNm	8,6 m	FG43S	X	X	X
	S110 F101	143/100 kNm	10,1 m	FG43S	X	X	X
	X120 F80	159/111 kNm	8,0 m	FG43S	X	X	X
	X120 F86	159/110 kNm	8,6 m	FG43S	X	X	X
	X120 F102	159/107 kNm	10,2 m	FG43S	X	X	X
	X140 F80	173/123 kNm	8,0 m	FG43S	X	X	X
X140 F86	173/122 kNm	8,6 m	FG43S	X	X	X	
X140 F102	173/119 kNm	10,2 m	FG43S	X	X	X	
Low crane column (height 1730 mm) series at steep slope and Kombi					O	O	O
Mesera	F59 F72	78/56 kNm	7,2 m	FG43S	#	#	#
	F59 FT85	78/51 kNm	8,5 m	FG43S	#	#	#
	F59 FT100	78/47 kNm	10,0 m	FG43S	#	#	#
	F59 FT100i	78/47 kNm	10,0 m	FG43S	#	#	#
	F71 F72	99/75 kNm	7,2 m	FG43S	X	X	X
	F71 FT85	99/70 kNm	8,5 m	FG43S	X	X	X
	F71 FT100	99/66 kNm	10,0 m	FG43S	X	X	X
	F71 FT100i	99/66 kNm	10,0 m	FG43S	X	X	X
	F83 F72	106/82 kNm	7,2 m	FG43S	X	X	X
	F83 FT85	106/76 kNm	8,5 m	FG43S	X	X	X
	F83 FT100i	106/73 kNm	10,0 m	FG43S	X	X	X
	M 92 F80i	130/84 kNm	8,0 m	FG43S	X	X	X
	M 92 FT86i	130/84 kNm	8,6 m	FG43S	X	X	X
	M 92 FT100i	130/84 kNm	10,0 m	FG43S	X	X	X
	F111 F72	151/111 kNm	7,2 m	FG43S	X	X	X
	F111 F85	151/100 kNm	8,5 m	FG43S	X	X	X
	F111 FT85	151/100 kNm	8,5 m	FG43S	X	X	X
	F111 FT91	151/98 kNm	9,1 m	FG43S	X	X	X
	F111 FT100	151/101 kNm	10,0 m	FG43S	X	X	X
	M122 F85i	155/110 kNm	8,5 m	FG43S	X	X	X
M122 F96i	155/- kNm	9,6 m	FG43S	X	X	X	
M122 FT100i	155/- kNm	10,0 m	FG43S	X	X	X	
M142 F85i	178/132 kNm	8,5 m	FG43S	X	X	X	
M142 F96i	178/124 kNm	9,6 m	FG43S	X	X	X	
M142 FT100i	178/- kNm	10,0 m	FG43S	X	X	X	

HSM Hohenloher Spezial-Maschinenbau GmbH & Co. KG

Technik die Freude macht.

D-74635 Neu-Kupfer
 Im Greut 10
 Tel. + 49 (0) 7944 / 9191-0
 Fax + 49 (0) 7944 / 9191-77
 Mail: info@hsm-forest.com
www.hsm-forest.com

