



# TECHNIK DIE FREUDE MACHT



## HSM – High-performance forestry machines for your requirements



The HSM product line includes special forestry tractors, forwarders, harvesters and combination forestry machines that are developed for use in forestry.

HSM has a long tradition of commitment to developing state-of-the-art technology for sustainable care of the soil and

sustainable productivity of forests. With narrow machines and wide tyres, the technical navigability of logging trails is maintained and forestry is supported in a way that is both economically and ecologically sustainable.

### **Tried-and-tested design**

HSM forestry machines are available in different performance classes and with many innovative options. HSM offers the ideal forestry machine for all conditions and fields of application from thinning to harvesting.

An attractive range of special accessories meets customer needs down to the smallest detail, providing highly efficient forestry technology. What all machines have in com-

mon is production from a single source, direct from the manufacturer and most importantly, without complex modification work from a third party. The diverse needs of our customers can be completely implemented without delay, from sales consultation to delivery.

Today, consistent further development of the products makes HSM the embodiment of high-performance forestry machines that conserve soil and the environment.



From 805 to HSM 904ZL, HSM offers the right 4-wheel crane forwarder for every need. Designed for jobs from thinning to harvesting in deciduous forests under difficult conditions. What they all have in common is their robust design with central torsion and compact dimensions, with tyres as wide as 940 mm at outside dimensions of less than 3 metres.

For every performance class, HSM offers the perfect selection of cranes with internal hoses, attached low on the vehicle. State-of-the-art engine technology, high-performance hydraulics and innovative drive technology, such as the High Speed Drive or Twin Power Drive transmission, round off the range.

- ✦ **Work area light system**  
all in LED
- ✦ **Ergonomic panorama comfort cab**  
for an all-round view, automatic climate control, electric swivel seat and plenty of storage
- ✦ **Cab can be tilted hydraulically**  
for maintenance work
- ✦ **Different front shields**  
fixed or tiltable, in quick-change system or front-loader (depending on model)
- ✦ **Wide tyres**  
with small exterior width  
e.g.: 28L-26, 2.550 mm wide



# Professional technology for cost-effective forwarding

- ✦ **Cranes**  
in different performance classes suitable for every need from Epsilon or Mesera with interior hoses
- ✦ **Adler cable winches / TCM cable winches**  
from 2 x 8 tonnes to 2 x 16 tonnes tractive force
- ✦ **Stable straight shields**  
with or without clamping workbench, height-adjustable roller block and much more.
- ✦ **Shell gripper or two-finger gripper**
- ✦ **Fold-down, fully closing bottom panels** for protection against branches and rocks
- ✦ **Stable centre joint** with hydraulic stabilisation
- ✦ **Strong planetary axles from NAF**
- ✦ **Climbing rung** robust and flexible

Technical specifications from page 15. We would be happy to arrange a personal consultation appointment with one of our sales representatives.



Technik die Freude macht.

# HSM crane forwarder agile – flexible – high-performance



In no other working environment are the requirements as varied as in forestry. Therefore, HSM has devoted its entire innovative ability to finding suitable solutions for the past 50 years. HSM produces crane forwarders with a wide variety of innovative options for your success, thus supporting state-of-the-art and sustainable forestry.

**805HD**

## Innovation for productivity and soil conservation



- + **904 6WD**  
 with standard tiltable crane pillar for even more flexibility and conservation in use
- + **Work area light system**  
 all in LED
- + **Cab can be tilted hydraulically**  
 for maintenance work
- + **Ergonomic panorama comfort cab**  
 for an all-round view, automatic climate control, electric swivel seat and plenty of storage
- + **Different front shields**  
 Optionally fixed or tiltable, in the quick-change system or front loader (depending on model)
- + **Climbing rung**  
 robust and flexible
- + **Fold-down, fully closing bottom panel**  
 for protection against branches and rocks
- + **Strong Epsilon crane**  
 from S120 - X150 and Forwarding distance up to max. 10.4 m
- + **Strong Adler cable winches**  
 with tractive force of up to 2 x 16 tonnes and of a cable take-up of up to 180 m
- + **Different grips**  
 Choice of Epsilon, Mesera or Hultdins
- + **Different straight shields**  
 with a quick-change clamping workbench, height-adjustable roller block and much more.

**Technical specifications see pages 18, 19 and 23.**  
 We would be happy to arrange a personal consultation appointment with one of our sales representatives.

With the development of a new generation of the 6-tyre crane forwader 805 6WD, 805HD 6WD and 904 6WD, HSM has again proved itself as the leading innovator for the development of soil-conserving and productive logging technology. Equipped with various options (e.g. harvesting head, quick-change clamping workbench), this machine makes a greater utilisation and more flexible utilisation options possible, thus contributing to more economic success for the operator.



Technik die Freude macht.



# Custom solutions Ready for all cases



As a forestry contractor, you are often confronted with new challenges. HSM and the HSM dealers therefore offer many custom solutions, such as harvester heads incl. attachment, grapple saws, grapple shells, buckets, branch saws, quick-change systems and much more. So you are always ready for all tasks.

Technik die Freude macht.



# Versatility for optimal utilisation

Whether long or short timber, the multi-purpose series from HSM opens all possibilities without compromises. The one-of-a-kind concept with a quick-change system for clamping workbench and stanchions, height-adjustable roll support, double-drum winches with up to 2 x 16 tonnes tractive force and much more provide ideal utilisation with a machine for long and short timber.

Available as 6-wheel 805F Kombi, 805F HD Kombi and 904F or as 8-wheel 208F 9 to Kombi, 208F 11 to Kombi and 208F 14 to Kombi. Benefit from the versatile and tested design from a single source. Experience what is possible.



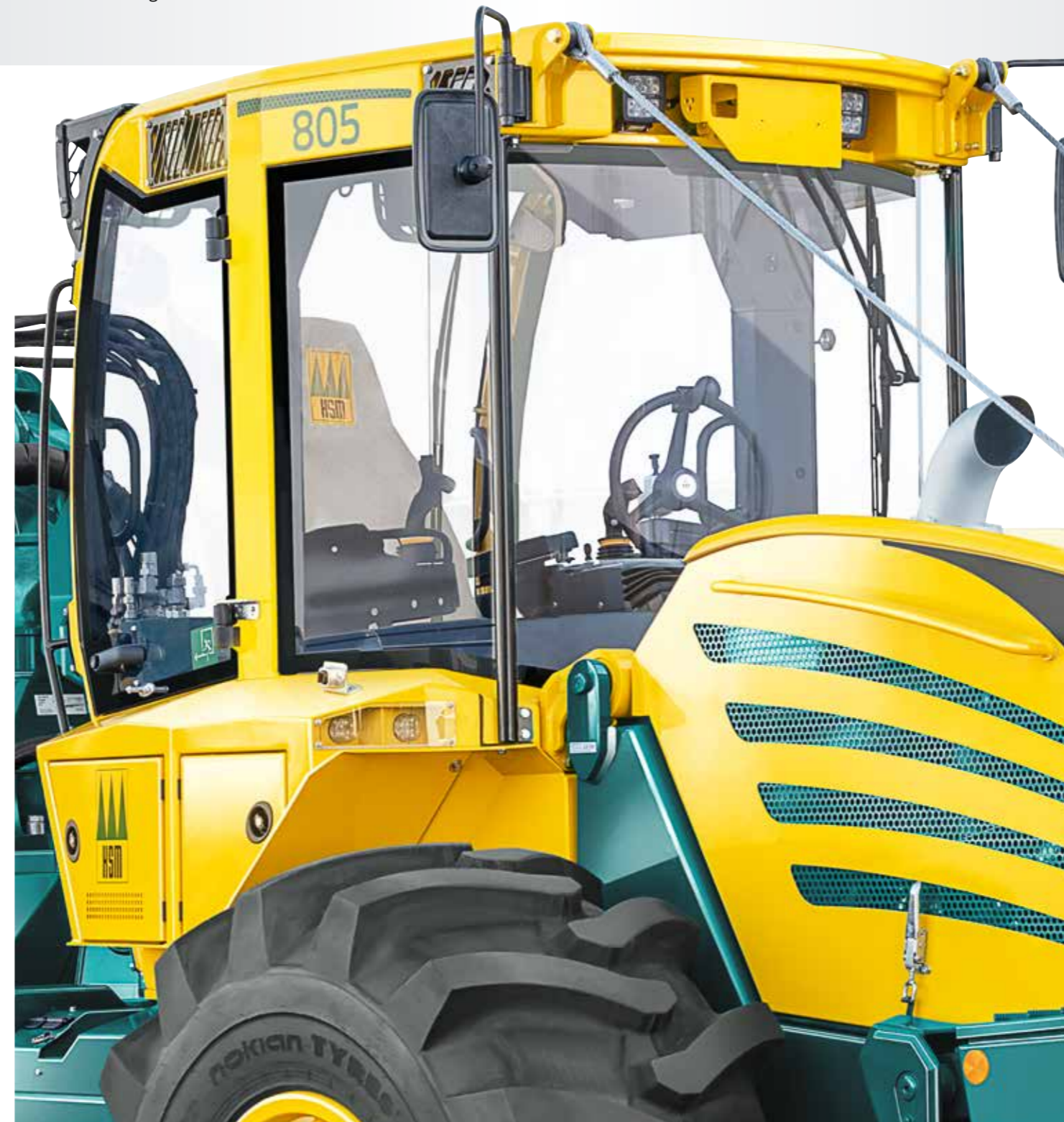
Technical specifications see page 25.



Technik die Freude macht.

**Comfort, ergonomics, function and overview** are priorities in HSM machines and are constantly being adapted to the newest advancements. This is how drivers can easily reach their full capacity and be productive, even throughout a long workday.

The "**Panorama comfort cab**" sets standards in this area. Automatic climate control, electric swivelling driver's cab with all of the important functions and the newly revised CMC control system are three of the many new features that contribute to fatigue-free work.



## The focus is on comfort HSM Panorama comfort cab

- + Electric swivelling **driver's cab**
- + **Automatic climate control**
- + Integrated **diagnostic tool**
- + **Work area light system** all in LED
- + **Windscreen without A-pillar** for an even better front view
- + **High-arching rear window** for maximum view
- + **Hinged and adjustable side and door window**
- + State-of-the-art **central electrical system** with illuminated fuses and relay plate
- + **Fold-out table** for a relaxing break now and then
- + **Storage compartment for snacks and drinks**
- + **LED-lit ascent**
- + Switchable (using key fob) **"going-home" lighting** of two work lights
- + 12 volt and 24 volt **interior socket**
- + **Glove dryer**

Technik die Freude macht.



# Your requirements are our drive

## HSM offers state-of-the-art, energy-efficient and economical drive technology



### State-of-the-art engine technology from Volvo Penta

- ✦ powerful
- ✦ energy-efficient
- ✦ economical
- ✦ EU Stage V
- ✦ 4 cyl. up to 175 kW
- ✦ 6 cyl. up to 250 kW

### HSM TWIN Power Drive

- ✦ switching under load
- ✦ smooth switching and reversing operations
- ✦ increased productivity
- ✦ best comfort
- ✦ efficient repositioning



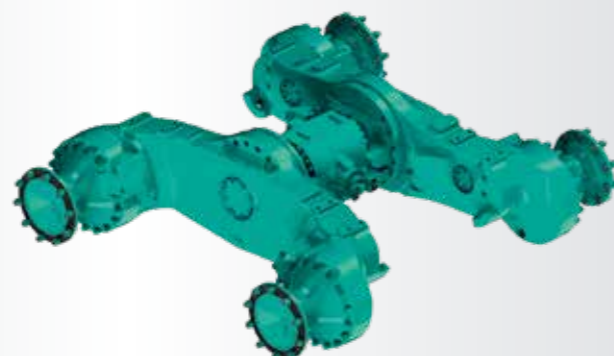
### HSM High Speed Drive

- ✦ higher speed in first gear
- ✦ optimised efficiency
- ✦ high traction forces



### Proven NAF axles

- ✦ integrated oil-running brakes
- ✦ bogie axles as portal or planetary axles
- ✦ bogie axles with or without balancing
- ✦ bogie lift for many models



## Technical data

### Engine:

- VOLVO PENTA  
TAD581VE EU Stage V
- Power: 129 kW (175 HP) at 1700 rpm
- Max. revolution: 800 Nm at 1100 - 1500 rpm
- Max. torque: 816 Nm at 1380 rpm
- Displacement: 5,13 liters

### Transmission:

- HSM High Speed Drive (71 series)
- 2-step NAF transfer gearbox

### Axles:

- Planetary axles
- 100 % separately selectable differential locks, front and rear

### Brake:

- 2-circuit brake, disk brake running in an oil bath
- Spring-loaded parking brake

### Steering:

- Articulated steering with 2 cylinders, 45° steering angle

### Tank capacity:

- Diesel: 175 l
- AdBlue: 25 l
- Hydraulic oil: 90 l

### Hydraulic system:

- Load sensing
- Pump output: Flow rate: 232 litres/min at 1600 rpm  
Pressure: up to 350 bar
- Hydraulic oil: Saturated synthetic ester  
Panolin HLP SYNTH with Kleenoil  
Microfiltration; WGK 1

### Cabin:

- HSM Panorama comfort cab (see page 12-13)
- ROPS, FOPS, OPS tested safety cab
- Swivel seat device, air-suspended comfort seat
- Heating/air-conditioning

### Electrics / Instruments:

- HSM Ecomand colour-display
- 5 operator programs + factory setting
- Diagnosis-tool and error-indication
- Graphic support at parameter editing
- Generator 110 A (28 V)
- 2 service-free dry batteries à 56 Ah

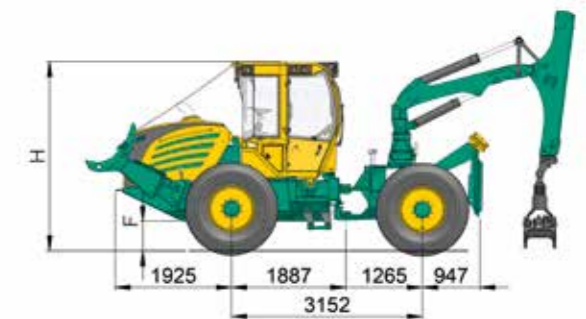
### Standard equipment:

- 12 LED work lamps, 24 V - 12 V voltage transformer, Radio with CD player, fire extinguisher, first-aid kit, warning triangle, tool set and much more

### Special equipment:

- Tiltable front polder shield, front loader, trailer hitch, outer hydraulic connection, remote control for cable winch, wireless driving, auxiliary heating, sun blinds, seat area dampers
- Additional accessories on request

## 805



### Winches:

- Series: Adler HY 16-SG (2 x 80 kN) double-drum winch  
Max. cable take-up 14 mm, 100 m
- Optional: Adler HY 20-SG (2 x 100 kN) double-drum winch  
Max. cable take-up 14 mm, 100 m

### Weight:

- 12.600 kg (series)

### Crane:

- Epsilon M80 R59 - R80  
(max. range 8 m, 95 kNm lifting moment gross)
- Epsilon M90 R59 - R72  
(max. range 7,2 m, 104 kNm lifting moment gross)
- Mesera F81 R51 - RT65  
(max. range 6,5 m, 93 kNm lifting moment gross)
- Additional cranes on request

### Tyres:

	Size:	Total width:	H:	F:
▪ Series:	600/60-30,5	2360 mm	3190	560
▪ Optional:	650/60-26,5	2460 mm	3160	530
	750/55-26,5	2700 mm	3160	530
	18,4-26	2220 mm	3143	513
	600/60-R28	2360 mm	3136	506

### Standard equipment:

- Fixed front polder shield, 2000 mm wide
- Lowerable straight shield
- Epsilon crane M80 R59
- Torsion lock with 2 hydraulic cylinders

### Special equipment:

- Hydraulically height-adjustable roller block
- Clamping workbench on height-adjustable roller block
- Straight shield with sprag brake
- „Skidder France“ version pulley
- Engine bonnet protection and brush guard made from tubing
- Additional accessories on request

## Technical data

### Engine (4 cylinder):

- VOLVO PENTA  
TAD581VE EU Stage V  
Power: 129 kW (175 HP) at 1700 rpm  
Max. revolution: 800 Nm at 1100 - 1500 rpm  
Max. torque: 816 Nm at 1380 rpm  
Displacement: 5,13 liters

Optional:

- VOLVO PENTA  
TAD583VE EU Stage V  
Power: 175 kW (238 HP) at 1750 rpm  
Max. revolution: 947 Nm at 1200 - 1750 rpm  
Max. torque: 969 Nm at 1380 rpm  
Displacement: 5,13 liters

### Transmission:

- HSM TwinPowerDrive

### Axles:

- Planetary axles
- 100 % separately selectable differential locks, front and rear

### Brake:

- 2-circuit brake, disk brake running in an oil bath
- Spring-loaded parking brake

### Steering:

- Articulated steering with 2 cylinders, 45° steering angle

### Tank capacity:

- Diesel: 235 l
- AdBlue: 25 l
- Hydraulic oil: 100 l

### Hydraulic system:

- Load sensing
- Pump output: Flow rate: 232 l/min at 1600 rpm  
Pressure: up to 350 bar
- Hydraulic oil: Saturated synthetic ester  
Panolin HLP SYNTH with Kleenoil  
Microfiltration; WGK 1

### Cabin:

- HSM Panorama comfort cab
- ROPS, FOPS, OPS tested safety cab
- Swivel seat device, air-suspended comfort seat
- Heating/air-conditioning

### Electrics / Instruments:

- HSM Ecommand colour-display
- 5 operator programs + factory setting
- Diagnosis-tool and error-indication
- Graphic support at parameter editing
- Generator 110 A (28 V)
- 2 service-free dry batteries á 55 Ah

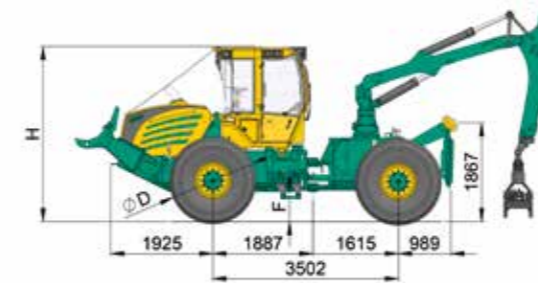
### Standard equipment:

- 12 LED work lamps, 24 V - 12 V voltage transformer, radio with CD player, fire extinguisher, first-aid kit, warning triangle, tool set
- Torsion lock with 2 hydraulic cylinders and much more

### Special equipment:

- Tiltable front polder shield, trailer hitch, outer hydraulic connection, remote control for cable winch, wireless driving, auxiliary heating, sun blinds, seat area dampers
- Additional accessories on request

## 805HD



### Winches:

- Series: Adler HY 20-SG (2 x 100 kN) double-drum winch  
Max. cable take-up 14 mm, 100 m
- Optional: Adler HY 24-SG (2 x 120 kN) double-drum winch  
Max. cable take-up 14 mm, 130 m  
Adler HY 32-SG (2 x 160 kN) double-drum winch  
Max. cable take-up 14 mm, 130 m  
Adler HY 32-O (2 x 160 kN) double-drum winch  
Max. cable take-up 14 mm, 150 m  
Adler HY 32-LO (2 x 160 kN) double-drum winch  
Max. cable take-up 14 mm, 190 m

### Weight:

- from 13.800 kg

### Crane:

- Epsilon M80 R59 - R80  
(max. range 8 m, 95 kNm lifting moment gross)
- Epsilon M90 R59 - R80  
(max. range 8 m, 104 kNm lifting moment gross)
- Epsilon S110 R59 - R80  
(max. range 8 m, 126 kNm lifting moment gross)
- Mesera M102 R67 - R73  
(max. range 7,3 m, 130 kNm lifting moment gross)
- Additional cranes on request

### Tyres:

	Size:	Total width:	H:	F:
Series:	23.1 x 26	2360 mm	3300	530
Optional:	28L-26	2600 mm	3310	536
	24.5 x 32	2430 mm	3400	630
	30.5 x 32	2730 mm	3410	640
	710/55-34	2620 mm	3330	563
	67x34-25	3000 mm	3290	525

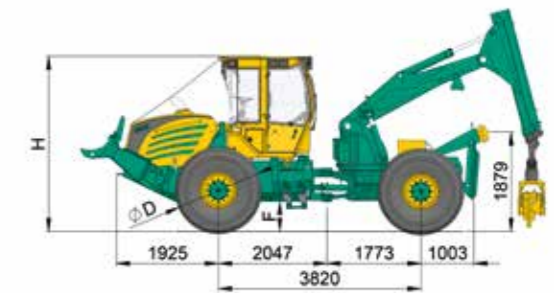
### Standard equipment:

- Fixed front polder shield, 2000 mm wide
- Lowerable straight shield
- Epsilon crane M80 R59

### Special equipment:

- Hydraulically height-adjustable roller block
- Clamping workbench on height-adjustable roller block
- Straight shield with sprag brake
- „Skidder France“ version pulley
- Engine bonnet protection and brush guard made from tubing
- Additional accessories on request

## 805HD ZL



### Winches:

- Series: Adler HY 20 (2 x 100 kN) double-drum winch  
Max. cable take-up 14 mm, 100 m
- Optional: Adler HY 24-O (2 x 120 kN) double-drum winch  
Max. cable take-up 14 mm, 130 m  
Adler HY 32-O (2 x 160 kN) double-drum winch  
Max. cable take-up 14 mm, 150 m  
Adler HY 32-LO (2 x 160 kN) double-drum winch  
Max. cable take-up 14 mm, 190 m  
TCM 16+ (2 x 160 kN) double-drum winch  
Max. cable take-up 14 mm, 220 m

### Weight:

- from 14.600 kg

### Crane:

- Series: Articulated arm with simple telescope: 6,1 m range  
Lifting moment gross: 270 kNm  
Slewing angle: 210°  
Slewing torque: 80 kNm
- Optional: HSM S3 - 7.5: 7,5 m range  
HSM S3 - 8.4: 8,4 m range  
HSM S3 - 10: 10 m range

### Tyres:

	Size:	Total width:	H:	F:
Series:	23.1 x 26	2360 mm	3300	530
Optional:	28L-26	2600 mm	3310	536
	24.5 x 32	2430 mm	3400	630
	30.5 x 32	2730 mm	3410	640
	710/55-34	2620 mm	3330	563
	67x34-25	3000 mm	3290	525

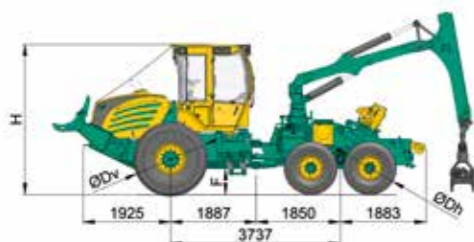
### Standard equipment:

- Fixed front polder shield, 2000 mm wide
- Straight shield as sprag brake

### Special equipment:

- Hydraulically height-adjustable roller block
- „Skidder France“ version pulley
- Straight shield „France“
- Engine bonnet protection and brush guard made from tubing
- Additional accessories on request

## 805 6WD

**Winches:**

- Series: Adler HY 20 (2 x 100 kN) double-drum winch  
Max. cable take-up 14 mm, 100 m
- Optional: Adler HY 24 (2 x 120 kN) double-drum winch  
Max. cable take-up 14 mm, 130 m

**Weight:**

- from 14.100 kg

**Crane:**

- Epsilon S120 R80  
(max. range 8 m, 139 kNm lifting moment gross)
- Epsilon S120 R96  
(max. range 9,6 m, 139 kNm lifting moment gross)

**Tyres:**

Series:	Size:	Minimum width:	H:	F:
Front:	23,1 x 26	2550 mm	3300	530
Rear:	710/40x22,5			

The minimum width changes when using belts (+100).  
Other tyres on request.

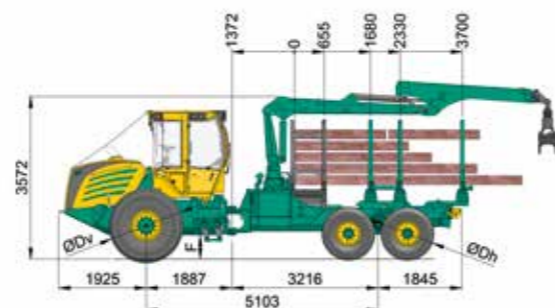
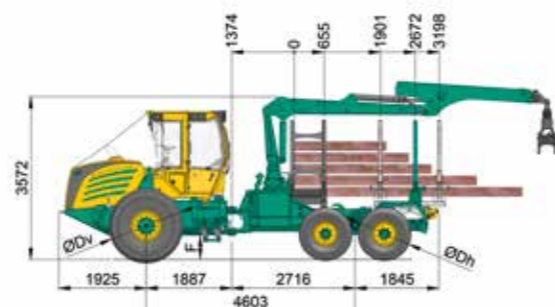
**Standard equipment:**

- Fixed front polder shield, 2000 mm wide
- Lowerable straight shield
- Epsilon crane S120 R80

**Special equipment:**

- Clamping workbench on roll supports
- Engine bonnet protection and brush guard made from tubing
- Bogie lift at the rear
- Additional accessories on request

## 805F Kombi short/long

**Winches:**

- Series: Adler HY 16-SG (2 x 80 kN) double-drum winch  
Max. cable take-up 14 mm, 100 m
- Optional: Adler HY 20-SG (2 x 100 kN) double-drum winch  
Max. cable take-up 14 mm, 100 m

**Weight:**

- from 14.600 kg / 14.800 kg

**Payload:**

- 9 t

**Crane:**

- Epsilon Kran M70 F80 (series)
- For further cranes see crane brochure

**Tyres:**

Series:	Size:	Minimum width:	H:	F:
Front:	23,1 x 26	2550 mm	3540	530
Rear:	710/40x22,5			
Optional:	28L-26	2600 mm		
	620/75-26	2400 mm		
	600/65-34	2360 mm		
	710/55-34	2620 mm		
	67x34-25	3000 mm		

The minimum width changes when using belts (+100).  
Other tyres on request.

**Standard equipment:**

- Headboard grid and first stanchion removable
- Last stanchion can be removed and adjusted to  
(short) 1,9 m, 2,7 m and 3,2 m  
(long) 2,4 m, 3,1 m and 3,7 m
- Height-adjustable roller block
- reversing camera with color monitor
- rear headlights

**Special equipment:**

- Front polder shield
- Straight shield
- Clamping workbench with quick-change plate
- Rotating stanchion
- Kombi long: Twin stanchions as 2nd and 3rd stanchion on quick-change plate
- Additional accessories on request

## 805HD 6WD

**Winches:**

- Series: Adler HY 20 (2 x 100 kN) double-drum winch  
Max. cable take-up 14 mm, 100 m
- Optional: Adler HY 24 (2 x 120 kN) double-drum winch  
Max. cable take-up 14 mm, 130 m  
Adler HY 32 (2 x 160 kN) double-drum winch  
Max. cable take-up 14 mm, 150 m

**Weight:**

- from 15.300 kg

**Crane:**

- Series: Tiltable Epsilon X150 R80  
(max. range 8 m, 170 kNm lifting moment gross)
- Optional: Epsilon X150 R104 tiltbar  
(max. range 10,4 m, 170 kNm lifting moment gross)

**Tyres:**

Series:	Size:	Minimum width:	H:	F:
Front:	23,1 x 26	2550 mm	3595	530
Rear:	710/45x26,5			

The minimum width changes when using belts (+100).  
Other tyres on request.

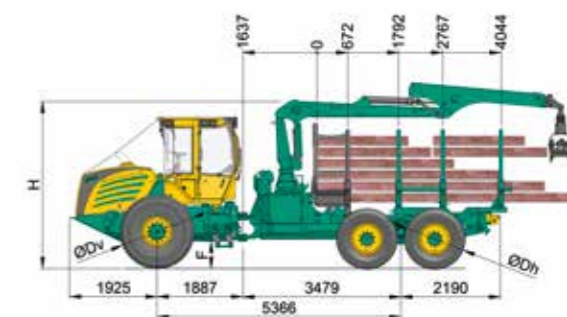
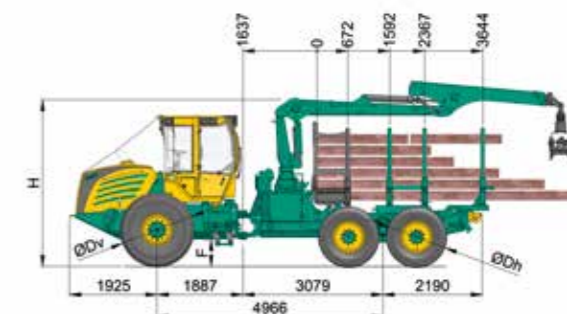
**Standard equipment:**

- Fixed front polder shield, 2000 mm wide
- Straight shield as sprag brake

**Special equipment:**

- Clamping workbench on height-adjustable roller block
- „Skidder France“ version pulley
- Engine bonnet protection and brush guard made from tubing
- Bogie lift back
- Additional accessories on request

## 805HDF Kombi short/long

**Winches:**

- Series: Adler HY 20-SG (2 x 100 kN) double-drum winch  
Max. cable take-up 14 mm, 100 m
- Optional: Adler HY 24-SG (2 x 120 kN) double-drum winch  
Max. cable take-up 14 mm, 130 m  
Adler HY 32-SG (2 x 160 kN) double-drum winch  
Max. cable take-up 14 mm, 130 m

**Weight:**

- from 15.300 kg / 15.500 kg

**Payload:**

- 11 t

**Crane:**

- Epsilon M70 F80 (series)
- For further cranes see crane brochure

**Tyres:**

Series:	Size:	Minimum width:	H:	F:
Front:	23,1 x 26	2550 mm	3670	530
Rear:	710/45x26,5			

The minimum width changes when using belts (+100).  
Other tyres on request.

**Standard equipment:**

- Headboard grid and first stanchion removable
- Last stanchion can be removed and adjusted to  
(short) 2,4 m, 3,2 m and 3,8 m  
(long) 2,8 m, 3,6 m and 4,2 m
- Height-adjustable roller block
- Reversing camera with color monitor
- Rear headlights

**Special equipment:**

- Front polder shield
- Straight shield
- Clamping workbench with quick-change plate
- Twin stanchions as 2nd and 3rd stanchion on quick-change plate
- Rotating stanchion
- Bogie lift at the rear
- Additional accessories on request

## 805H1

**Engine (4 cylinder):**

- VOLVO PENTA  
TAD583VE EU Stage V  
Power: 175 kW (238 HP) from 1750 rpm  
Max. revolution: 947 Nm from 1200 - 1750 rpm  
Max. torque: 969 Nm at 1380 rpm  
Displacement: 5,13 liters

**Transmission:**

- HSM TwinPowerDrive

**Axles:**

- Planetary axles
- 100 % separately selectable differential locks, front and rear

**Brake:**

- 2-circuit brake, disk brake running in an oil bath
- Spring-loaded parking brake

**Steering:**

- Articulated steering with 2 cylinders, 45° steering angle

**Tank capacity:**

- Diesel: 235 l
- AdBlue: 25 l
- Hydraulic oil: 100 l

**Hydraulic system:**

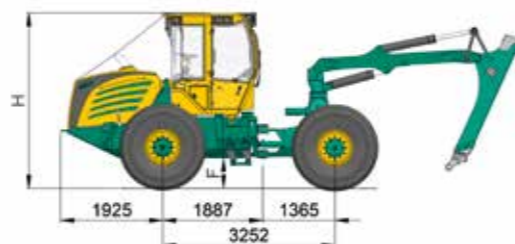
- Load sensing
- Pump output: Flow rate: 304 l/min at 1600 rpm  
Pressure: up to 350 bar
- Pump output: Saturated synthetic ester  
Panolin HLP SYNTH with Kleenoil  
Microfiltration; WGK 1

**Cabin:**

- HSM Panorama comfort cab
- ROPS, FOPS, OPS tested safety cab
- Swivel seat device, air-suspended comfort seat
- Heating/air-conditioning

**Electrics / Instruments:**

- HSM Ecomand colour-display
- 5 operator programs + factory setting
- Diagnosis-tool and error-indication
- Graphic support at parameter editing
- Generator 110 A (28 V)
- 2 service-free dry batteries á 55 Ah

**Standard equipment:**

- 12 LED work lamps, 24 V - 12 V voltage transformer, Radio with CD player, fire extinguisher, first-aid kit, warning triangle, tool set
- Torsion lock with 2 hydraulic cylinders and much more

**Special equipment:**

- Auxiliary heating, seat area dampers, vacuum pump, Diesel filling pump
- Other accessories on request

**Crane:**

- Epsilon S110 R80
- Tilttable +15° / -15°(optional)
- Range: 8 m
- Lifting moment gross: 126 kNm
- Slewing torque net: 33 kNm

**Aggregate:**

- Logmax 4000
- Other aggregate on request
- LOG Mate 510

**Tyres:**

	Size:	Minimum width:	H:	F:
Series:	23,1 x 26	2360 mm	3300	530
Optional:	28L-26	2600 mm	3310	536
	24.5 x 32	2430 mm	3400	630
	30.5 x 32	2730 mm	3410	640
	710/55-34	2620 mm	3330	563
	67 x 34-25	3000 mm	3290	525

**Weight:**

- 13.200 kg

## 805H1 6WD

**Engine (4 cylinder):**

- VOLVO PENTA  
TAD583VE EU Stage V  
Power: 175 kW (238 HP) from 1750 rpm  
Max. revolution: 947 Nm from 1200 - 1750 rpm  
Max. torque: 969 Nm at 1380 rpm  
Displacement: 5,13 liters

**Transmission:**

- HSM TwinPowerDrive

**Axles:**

- Planetary axles
- 100 % separately selectable differential locks, front and rear

**Brake:**

- 2-circuit brake, disk brake running in an oil bath
- Spring-loaded parking brake

**Steering:**

- Articulated steering with 2 cylinders, 45° steering angle

**Tank capacity:**

- Diesel: 235 l
- AdBlue: 25 l
- Hydraulic oil: 100 l

**Hydraulic system:**

- Load sensing
- Pump output: Flow rate: 304 l/min at 1600 rpm  
Pressure: up to 350 bar
- Pump output: Saturated synthetic ester  
Panolin HLP SYNTH mit Kleenoil  
Microfiltration; WGK 1

**Cabin:**

- HSM Panorama comfort cab
- ROPS, FOPS, OPS tested safety cab
- Swivel seat device, air-suspended comfort seat
- Heating/air-conditioning

**Electrics / Instruments:**

- HSM Ecomand colour-display
- 5 operator programs + factory setting
- Diagnosis-tool and error-indication
- Graphic support at parameter editing
- Generator 110 A (28 V)
- 2 service-free dry batteries á 55 Ah

**Standard equipment:**

- 12 LED work lamps, 24 V - 12 V voltage transformer, Radio with CD player, fire extinguisher, first-aid kit, warning triangle, tool set
- Torsion lock with 2 hydraulic cylinders and much more

**Special equipment:**

- Auxiliary heating, seat area dampers, vacuum pump, Diesel filling pump
- Other accessories on request

**Crane:**

- Mesera L 181 V 100
- Tilttable +15° / -15°
- Range: 10 m
- Lifting moment gross: 138 kNm
- Slewing torque net: 38,4 kNm

**Optional:**

- Epsilon X150 R104
- Range: 10,4 m
- Lifting moment gross: 170 kNm
- Slewing torque net: 52 kNm

**Aggregate:**

- Logmax 4000
- Other aggregate on request
- LOG Mate 510

**Tyres:**

	Size:	Minimum width:	H:	F:
Series:	23,1 x 26	2550 mm	3300	536
front:	23,1 x 26	2550 mm	3300	536
rear:	710/40 x 22,5			

**Weight:**

- 15.000 kg

## Technical data

### Engine (6 cylinder):

- VOLVO PENTA  
TAD881VE EU Stage V  
Power: 185 kW (252 HP) from 1600 rpm  
Max. revolution: 1150 Nm from 1100 - 1500 rpm  
Max. torque: 1175 Nm at 1400 rpm  
Displacement: 7,7 liters

#### Optional:

- VOLVO PENTA  
TAD882VE EU Stage V  
Power: 210 kW (286 HP) from 1700 rpm  
Max. revolution: 1225 Nm from 1100 - 1600 rpm  
Max. torque: 1255 Nm at 1400 rpm  
Displacement: 7,7 liters

### Transmission:

- 904H: HSM High Speed Drive (71 series); speed at 1st gear 0-14 km/h
- 904ZF: ZF 6WG-190 load switching converter transmission 6 forward gears, 3 reverse gears

### Axles:

- Planetary axles
- 100 % separately selectable differential locks, front and rear

### Brake:

- 2-circuit brake, disk brake running in an oil bath
- Spring-loaded parking brake

### Steering:

- Articulated steering with 2 cylinders, 45° steering angle

### Tank capacity:

- |                |             |              |
|----------------|-------------|--------------|
| Diesel:        | 904H: 210 l | 904ZF: 225 l |
| AdBlue:        | 45 l        | 45 l         |
| Hydraulic oil: | 110 l       | 150 l        |

### Hydraulic system:

- Load sensing
- Variable pump (working pump) 904H:  
flow rate: 304 l/min at 1600 rpm  
pressure: up to max. 350 bar
- Variable pump (working pump) 904ZF:  
flow rate: 224 l/min at 1600 rpm  
pressure: up to max. 350 bar
- Hydraulic oil: Saturated synthetic ester Panolin HLP SYNTH with Kleenoil Microfiltration; WGK 1

### Cabin:

- HSM Panorama comfort cab (see page 12-13)
- ROPS, FOPS, OPS tested safety cab
- Swivel seat device, air-suspended comfort seat
- Heating/air-conditioning

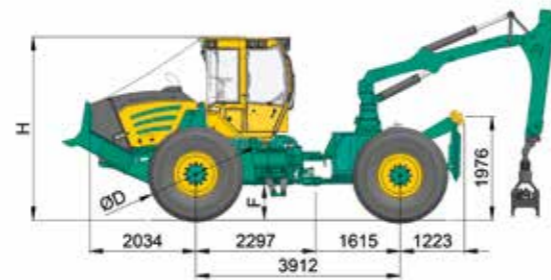
### Electrics / Instruments:

- HSM Ecommand colour-display
- 5 operator programs + factory setting
- Diagnosis-tool and error-indication
- Graphic support at parameter editing
- Generator 110 A (28 V)
- 2 service-free dry batteries á 55 Ah

### Special equipment:

- Tilttable front polder shield, trailer hitch, outer hydraulic connection, remote control for cable winch, wireless driving, auxiliary heating, sun blinds, seat area dampers
- Other accessories on request

## 904



### Winches:

- Series: Adler HY 20-SG (2 x 100 kN) double-drum winch  
Max. cable take-up 14 mm, 100 m
- Optional: Adler HY 24-SG (2 x 120 kN) double-drum winch  
Max. cable take-up 14 mm, 130 m  
Adler HY 32-SG (2 x 160 kN) double-drum winch  
Max. cable take-up 14 mm, 130 m  
Adler HY 32-LO (2 x 160 kN) double-drum winch  
Max. cable take-up 14 mm, 190 m

### Weight:

- from 15.200 kg

### Crane:

- Series: Epsilon M80 R59  
(max. range 5,9 m, 95 kNm lifting moment gross)
- Cranes up to a lifting moment of 170 kNm and range of up to 10,4 m available. For further cranes see crane brochure.

### Tyres:

		Standard 24,5-32	30,5-32	* B: minimum machine width (dimensions in mm)
904H	D	1831	1857	
	B*	2430	2730	
	H	3500	3507	
	F	672	679	
904ZF	H	3550	3557	
	F	545	552	

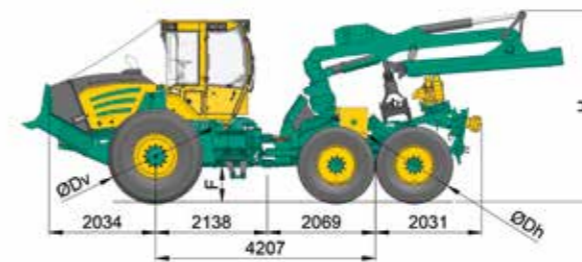
### Standard equipment:

- Fixed front polder shield, 2000 mm wide
- Straight shield as sprag brake

### Special equipment:

- Hydraulically height-adjustable roller block
- Clamping workbench on height-adjustable roller block
- Straight shield with sprag brake
- „Skidder France“ version pulley
- Engine bonnet protection and brush guard made from tubing
- Remote control, wireless driving
- Other accessories on request

## 904 6WD



### Winches:

- Series: Adler HY 20 (2 x 100 kN) double-drum winch  
Max. cable take-up 14 mm, 100 m
- Optional: Adler HY 24-O (2 x 120 kN) double-drum winch  
Max. cable take-up 14 mm, 130 m  
Adler HY 32-O (2 x 160 kN) double-drum winch  
Max. cable take-up 14 mm, 150 m

### Weight:

- from 17.000 kg

### Crane:

- Series: Epsilon X150 R80 tilttable  
(max. range 8 m, 170 kNm lifting moment gross)
- Optional: Epsilon X150 R104 tilttable  
(max. range 10,4 m, 170 kNm lifting moment gross)

### Tyres:

		Standard 24,5-32 710/45-26,5	30,5-32 710/45-26,5	* B: minimum machine width (dimensions in mm)
904H	Dv	1831	1857	
	Dh	1465	1485	
	B*	2430	2730	
	H	3694	3701	
904ZF	H	3694	3701	
	F	545	552	

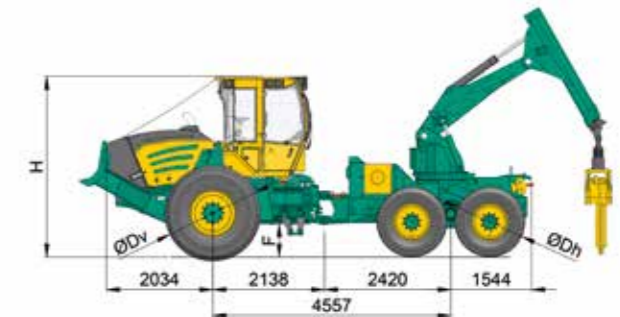
### Standard equipment:

- Fixed front polder shield, 2000 mm wide
- Straight shield as sprag brake

### Special equipment:

- Clamping workbench on height-adjustable roller block
- „Skidder France“ version pulley
- Engine bonnet protection and brush guard made from tubing
- Bogie lift back
- Remote control, wireless driving
- Other accessories on request

## 904Z 6WD



### Winches:

- Series: Adler HY 20-SG (2 x 100 kN) double-drum winch  
Max. cable take-up 14 mm, 100 m
- Optional: Adler HY 24-SG (2 x 120 kN) double-drum winch  
Max. cable take-up 14 mm, 130 m  
Adler HY 32-SG (2 x 160 kN) double-drum winch  
Max. cable take-up 14 mm, 130 m

### Weight:

- from 17.300 kg

### Crane:

- Series:  
Articulated arm with simple telescope: 6,1 m range  
Lifting moment gross: 270 kNm  
Slewing angle: 210°  
Slewing torque: 80 kNm  
Gripper cross-section: 1,2 m<sup>2</sup> (optional 0,9 m<sup>2</sup>)
- Optional: HSM S3 - 7.5 7,5 m range  
HSM S3 - 8.4 8,4 m range  
HSM S3 - 10 10 m range

### Tyres:

		Standard 24,5-32 710/45-26,5	30,5-32 710/45-26,5	* B: minimum machine width (dimensions in mm)
904H	Dv	1831	1857	
	Dh	1465	1485	
	B*	2430	2730	
	H	3500	3507	
904ZF	H	3550	3557	
	F	545	552	

### Standard equipment:

- Fixed front polder shield, 2000 mm wide
- Straight shield as sprag brake

### Special equipment:

- Hydraulically height-adjustable roller block
- „Skidder France“ version pulley
- Straight shield „France“
- Engine bonnet protection and brush guard made from tubing
- Bogie lift back
- Remote control, wireless driving
- Other accessories on request

# 904ZL



### Winches:

- Series: Adler HY 20 (2 x 100 kN) double-drum winch  
Max. cable take-up 14 mm, 100 m
- Optional: Adler HY 24-O (2 x 120 kN) double-drum winch  
Max. cable take-up 14 mm, 130 m  
Adler HY 32-O (2 x 160 kN) double-drum winch  
Max. cable take-up 14 mm, 150 m  
Adler HY 32-LO (2 x 160 kN) double-drum winch  
Max. cable take-up 14 mm, 190 m  
TCM 16+ (2 x 160 kN) double-drum winch  
Max. cable take-up 14 mm, 220 m

### Weight:

- from 14.700 kg

### Crane:

- Series: Articulated arm with simple telescope: 6,1 m range  
Lifting moment gross: 270 kNm  
Slewing angle: 210°  
Slewing torque: 80 kNm  
Gripper cross-section: 1,2 m<sup>2</sup> (optional 0,9 m<sup>2</sup>)
- Optional: HSM S3 - 7.5 7,5 m range  
HSM S3 - 8.4 8,4 m range  
HSM S3 - 10 10 m range

### Tyres:

		Standard 24,5-32	30,5-32	
904H	D	1831	1857	* B: minimum machine width (dimensions in mm)
	B*	2430	2730	
	H	3500	3507	
	F	672	679	
904ZF	H	3550	3557	
	F	545	552	

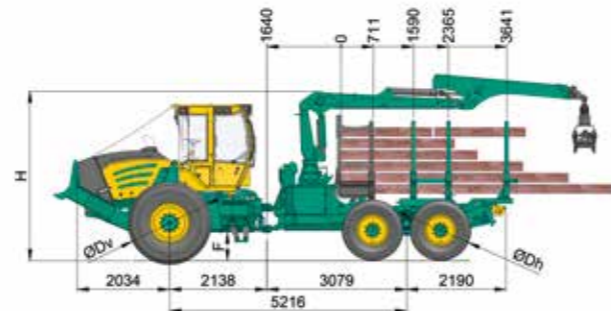
### Standard equipment:

- Fixed front polder shield, 2000 mm wide
- Straight shield as sprag brake

### Special equipment:

- Hydraulically height-adjustable roller block
- „Skidder France“ version pulley
- Straight shield „France“
- Engine bonnet protection and brush guard made from tubing
- Remote control, wireless driving
- Other accessories on request

# 904F Kombi short



### Winches:

- Series: Adler HY 20-SG (2 x 100 kN) double-drum winch  
Max. cable take-up 14 mm, 100 m
- Optional: Adler HY 24-SG (2 x 120 kN) double-drum winch  
Max. cable take-up 14 mm, 130 m  
Adler HY 32-SG (2 x 160 kN) double-drum winch  
Max. cable take-up 14 mm, 130 m

### Weight:

- from 17.600 kg

### Payload:

- 11 t

### Crane:

- Epsilon M70 F80 (series)
- For further cranes see crane brochure

### Tyres:

		Standard 24,5-32 710/45-26,5	30,5-32 710/45-26,5	
904H	Dv	1831	1857	* B: minimum machine width (dimensions in mm)
	Dh	1465	1485	
	B*	2430	2730	
	H	3769	3776	
	F	672	679	
904ZF	H	3769	3776	
	F	545	552	

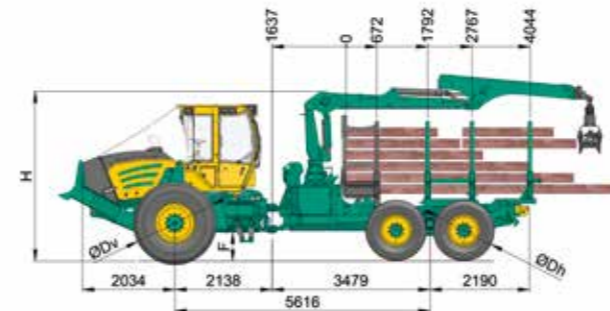
### Standard equipment:

- Headboard grid and first stanchion removable
- Last stanchion can be removed and adjusted to 2,4 m, 3,2 m and 3,65 m
- Height-adjustable roller block
- Torsion lock with hydraulic cylinder
- Reversing camera with color monitor
- LED rear headlights

### Special equipment:

- Front polder shield
- Straight shield
- Clamping workbench with quick-change plate
- Twin stanchions as 2nd and 3rd stanchion on quick-change plate
- Rotating stanchion
- Bogie lift at the rear
- Tiltable crane
- Remote control, wireless driving
- Other accessories on request

# 904F Kombi long



### Winches:

- Series: Adler HY 20-SG (2 x 100 kN) double-drum winch  
Max. cable take-up 14 mm, 100 m
- Optional: Adler HY 24-SG (2 x 120 kN) double-drum winch  
Max. cable take-up 14 mm, 130 m  
Adler HY 32-SG (2 x 160 kN) double-drum winch  
Max. cable take-up 14 mm, 130 m

### Weight:

- from 17.800 kg

### Payload:

- 11 t

### Crane:

- Epsilon M70 F80 (series)
- For further cranes see crane brochure

### Tyres:

		Standard 24,5-32 710/45-26,5	30,5-32 710/45-26,5	
904H	Dv	1831	1857	* B: minimum machine width (dimensions in mm)
	Dh	1465	1485	
	B*	2430	2730	
	H	3769	3776	
	F	672	679	
904ZF	H	3769	3776	
	F	545	552	

### Standard equipment:

- Headboard grid and first stanchion removable
- Last stanchion can be removed and adjusted to 2,4 m, 3,2 m and 4,05 m
- Height-adjustable roller block
- Torsion lock with hydraulic cylinder
- Reversing camera with color monitor
- LED rear headlights

### Special equipment:

- Front polder shield
- Straight shield
- Clamping workbench with quick-change plate
- Twin stanchions as 2nd and 3rd stanchion on quick-change plate
- Rotating stanchion
- Bogie lift at the rear
- Tiltable crane
- Remote control, wireless driving
- Other accessories on request

# The variable rear



Last stanchion variable in „short“ position



Last stanchion variable in „centre“ position



Last stanchion variable in „long“ position



Quick-change twin stanchion for 2 x 2 or 2 x 2.5 m wood (not for 805F short version)



Height-adjustable pulleys Up to 2 m



Rope forwarding possible Without reconfiguring the stanchion



Log forwarding with quick-change clamping workbench



Rope forwarding possible without reconfiguring the clamping workbench

## Technical data

### Engine (6 cylinder):

- VOLVO PENTA  
TAD882VE EU Stage V
- Power: 210 kW (286 HP) from 1700 rpm
- Max. revolution: 1225 Nm from 1100 - 1600 rpm
- Max. torque: 1255 Nm at 1400 rpm
- Displacement: 7,7 liters

### Transmission:

- 904H: HSM High Speed Drive (series 71)  
speed at 1st gear 0-14 km/h

### Axles:

- Planetary axles
- 100 % separately selectable differential locks, front and rear

### Brake:

- 2-circuit brake, disk brake running in an oil bath
- Spring-loaded parking brake

### Steering:

- Articulated steering with 2 cylinders
- 45° steering angle

### Tank capacity:

- Diesel: 360 l
- AdBlue: 45 l
- Hydraulic oil: 160 l

### Hydraulic system:

- Load sensing
- Variable pump (working pump) 904H:
  - flow rate: 304 l/min bei 1600 rpm
  - pressure: up to max. 350 bar
- Hydraulic oil: Saturated synthetic ester  
Panolin HLP SYNTH with Kleenoil  
Microfiltration; WGK 1

### Cabin:

- HSM Panorama comfort cab (see page 12-13)
- ROPS, FOPS, OPS tested safety cab
- Swivel seat device, air-suspended comfort seat
- Heating/air-conditioning

### Electrics / Instruments:

- HSM Ecomand colour-display
- 5 operator programs + factory setting
- Diagnosis-tool and error-indication
- Graphic support at parameter editing
- Generator 110 A (28 V)
- 2 service-free dry batteries á 55 Ah

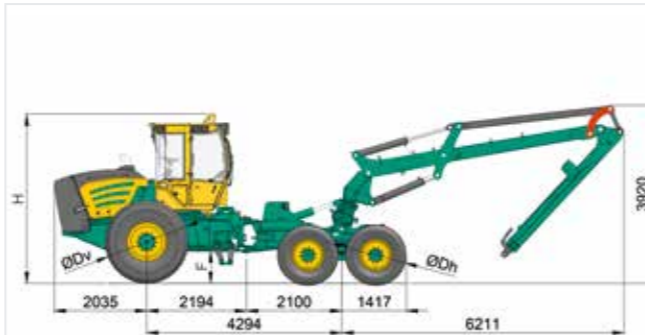
### Standard equipment:

- 12 LED work lamps
- 24 V - 12 V voltage transformer, radio with CD player, fire extinguisher, first-aid kit, warning triangle, tool set
- Torsion lock with 2 hydraulic cylinders

### Special equipment:

- Tiltable front polder shield, seat area dampers, engine bonnet protection and brush guard made from tubing
- Other accessories on request

## 954H2



### Crane:

- Mesera M221 H100 / H110
  - Range: 10 m / 11 m
  - Lifting moment gross: 188 kNm
  - Slewing torque: 43,6 kNm
  - Tilt angle: +24°/-30°

### Optional:

- Mesera M240 H103 / M111
  - Range: 10,3 m / 11,1 m
  - Lifting moment gross: 240 kNm
  - Slewing torque: 54 kNm
  - Tilt angle: +22°/-30°

### Aggregat:

- Logmax 6000
  - Felling diameter: 650 mm
  - Delimiting diameter: 500 mm
  - feed force: 26,9 kN
  - Max. feed force speed: 4,2 m/s
  - Max. operating pressure: 280 bar
  - Weight: 1.330 kg
- Control: LOG Mate
- Other aggregates on request

### Weight:

- from 20.000 kg

### Tyres:

		Standard 24,5-32	30,5-32	
954H	D	1831	1857	* B: minimum machine width (dimensions in mm)
	B*	2680	2980	
	H	3721	3726	
	F	713	715	

## Technical data

### Engine (6 cylinder):

- VOLVO PENTA  
TAD882VE EU Stage V
- Power: 210 kW (286 HP) from 1700 rpm
- Max. revolution: 1225 Nm from 1100 - 1600 rpm
- Max. torque: 1255 Nm at 1400 rpm
- Displacement: 7,7 liters

### Transmission:

- 904H: HSM High Speed Drive (series 71)  
speed at 1st gear 0-14 km/h

### Axles:

- Planetary axles
- 100 % separately selectable differential locks, front and rear

### Brake:

- 2-circuit brake, disk brake running in an oil bath
- Spring-loaded parking brake

### Steering:

- Articulated steering with 2 cylinders, 45° steering angle

### Tank capacity:

- Diesel: 360 l
- AdBlue: 45 l
- Hydraulic oil: 160 l

### Hydraulic system:

- Load sensing
- Variable pump (working pump) 904H:
  - flow rate: 304 l/min bei 1600 rpm
  - pressure: up to max. 350 bar
- Hydraulic oil: Saturated synthetic ester  
Panolin HLP SYNTH with Kleenoil  
Microfiltration; WGK 1

### Cabin:

- HSM Panorama comfort cab (see page 12-13)
- ROPS, FOPS, OPS tested safety cab
- Swivel seat device, air-suspended comfort seat
- Heating/air-conditioning

### Electrics / Instruments:

- HSM Ecomand colour-display
- 5 operator programs + factory setting
- Diagnosis-tool and error-indication
- Graphic support at parameter editing
- Generator 110 A (28 V)
- 2 service-free dry batteries á 55 Ah

### Standard equipment:

- 12 LED work lamps
- 24 V - 12 V voltage transformer, radio with CD player, fire extinguisher, first-aid kit, warning triangle, tool set
- Torsion lock with 2 hydraulic cylinders

### Special equipment:

- Tiltable front polder shield, trailer hitch, outer hydraulic connection, remote control for cable winch, seat area dampers, clamping bench, fixed front polder shield, 2000 mm wide, Straight shield as sprag brake
- Other accessories on request

## 954 6WD



### Winches:

- Series: Adler HY 20 (2 x 100 kN) double-drum winch  
Max. cable take-up 14 mm, 100 m
- Optional: Adler HY 24 (2 x 120 kN) double-drum winch  
Max. cable take-up 14 mm, 130 m  
Adler HY32 (2 x 160 kN) double-drum winch  
Max. cable take-up 14 mm, 150 m  
Adler HY32-LO (2 x 160 kN) double-drum winch  
Max. cable take-up 14 mm, 190 m  
TCM 16+ (2 x 160 kN) double-drum winch  
Max. cable take-up 14 mm, 220 m

### Weight:

- from 22.800 kg

### Crane:

- Series: Mesera M212 RT 97i  
(max. range 9,7 m, 245 kNm lifting moment gross)

### Tyres:

		Standard 24,5-32	30,5-32	
954H	D	1831	1857	* B: minimum machine width (dimensions in mm)
	B*	2680	2980	
	H	3525	3530	
	F	713	715	

# Robust – economical – reliable

## HSM 805S and 904S

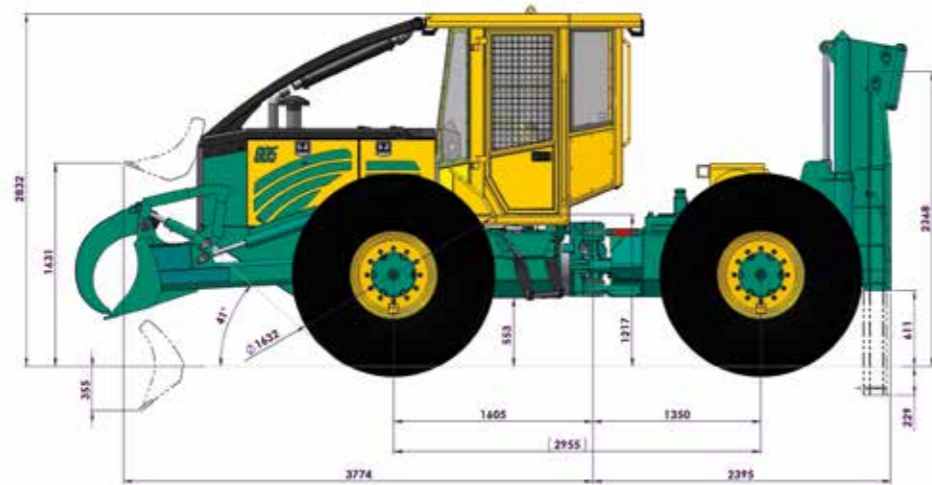


With the classic skidder models 805S and 904S HSM offers forestry machines worldwide for the traditional longwood markets.

- ✦ Clamping arms on the front shield
- ✦ Stable middle part
- ✦ Parallel guided high rear shield
- ✦ Strong Adler or TCM winches
- ✦ Clearly arranged and tested safety cabin
- ✦ Large dimensioned NAF planetary axles
- ✦ Easy maintenance due to tilting cabin



## 805S

**Engine:**

- DOOSAN 4-Zylinder D34 Stage V
- Power: 101 kW (135 HP) from 2200 rpm
- Max. torque: 500 Nm at 1400 rpm
- Displacement: 3,4 liters

**Transmission:**

- Hydrostatic transmission, Rexroth
- 2-step NAF transfer gearbox

**Axles:**

- NAF heavy duty planetary axles
- 100 % selectable differential locks

**Brake:**

- 2-circuit brake, wet disk brakes
- Spring-loaded parking brake

**Steering:**

- 44° articulated steering

**Tyres:**

- |           | Size:     | min. total width |
|-----------|-----------|------------------|
| Series:   | 23,1 x 26 | 2400 mm          |
| Optional: | 18,4 x 26 | 2200 mm          |
|           | 28L-26    | 2600 mm          |

**Tank capacity:**

- Diesel: 160 l
- Hydraulics: 90 l
- AdBlue: 25 l

**Hydraulic system:**

- Pump output: flow rate: 152 l/min at 1600 rpm  
pressure: up to 350 bar
- Hydraulic liquid: series: HLP-46 mineral oil  
optional: Panolin HLP SYNTH with Kleenoil Microfiltration WGK 1

**Cabin:**

- Rubber-mounted, soundproofed
- Tested safety cab
- Mechanically suspended comfort seat
- Hot water heating

**Electrics:**

- 24 V, 80 A generator
- 2 maintenance-free dry-cell batteries

**Instruments:**

- Tachometer with operating hour counter, coolant temperature, tank gauge, indicator lights

**Winches:**

- Series: Adler HY 20-O (2 x 100 kN) double-drum winch  
Max. cable take-up 14 mm, 100 m without cable equipment!
- Optional: Adler HY 24-O (2 x 120 kN) double-drum winch  
Max. cable take-up 14 mm, 140 m  
Adler HY 24-LO (2 x 120 kN) double-drum winch  
Max. cable take-up 14 mm, 190 m  
Adler HY 32-O (2 x 160 kN) double-drum winch  
Max. cable take-up 14 mm, 150 m  
Adler HY 32-LO (2 x 160 kN) double-drum winch  
Max. cable take-up 14 mm, 190 m  
TCM 16+ (2 x 160 kN) double-drum winch  
Max. cable take-up 14 mm, 220 m

**Weight:**

- 9.300 kg (series)
- Weight distribution: Front axle: 60 %  
Rear axle: 40 %

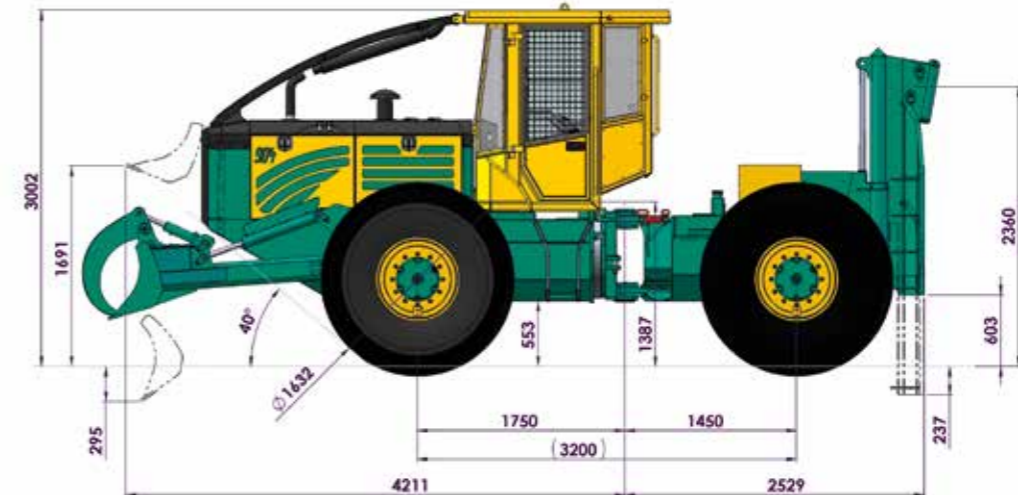
**Standard equipment:**

- 2200 mm wide front polder shield, lowerable straight shield  
2200 mm wide, fire extinguisher, first-aid kit, warning triangle, tool set

**Special equipment:**

- Radio control, cable winch, wireless driving, clamping arms for front shield, steering with joystick, road lighting set

## 904S

**Engine:**

- VOLVO PENTA TAD581VE EU Stage V
- Power: 129 kW (175 HP) from 1700 rpm
- Max. revolution: 800 Nm from 1100 - 1500 rpm
- Max. torque: 816 Nm at 1380 rpm
- Displacement: 5,13 liters

**Optional:**

- VOLVO PENTA TAD583VE EU Stage V
- Power: 175 kW (238 HP) from 1750 rpm
- Max. revolution: 947 Nm from 1200 - 1750 rpm
- Max. torque: 969 Nm at 1380 rpm
- Displacement: 5,13 liters

**Transmission:**

- HSM High Speed Drive (series 71)
- 2-step NAF transfer gearbox

**Axles:**

- NAF heavy duty planetary axles
- 100 % selectable differential locks

**Brake:**

- 2-circuit brake, wet disk brakes
- Spring-loaded parking brake

**Steering:**

- 44° articulated steering

**Tyres:**

- |           | Size:     | min. total width |
|-----------|-----------|------------------|
| Series:   | 23,1 x 26 | 2550 mm          |
| Optional: | 18,4 x 26 | 2300 mm          |
|           | 28L-26    | 2750 mm          |

**Tank capacity:**

- Diesel: 185 l
- Hydraulics: 90 l
- AdBlue: 45 l

**Hydraulic system:**

- Pump output: Flow rate: 152 l/min at 1600 rpm  
Pressure: up to 350 bar
- Hydraulic liquid: Series: HLP-46 mineral oil  
Optional: Panolin HLP SYNTH with Kleenoil Microfiltration WGK 1

**Cabin:**

- Rubber-mounted, soundproofed
- Tested safety cab
- Mechanically suspended comfort seat
- Hot water heating

**Electrics:**

- 110 A (28 V) generator
- 2 maintenance-free dry-cell batteries

**Instruments:**

- Tachometer with operating hour counter, coolant temperature, tank gauge, indicator lights

**Winches:**

- Series: Adler HY 20-O (2 x 100 kN) double-drum winch  
Max. cable take-up 14 mm, 100 m without cable equipment!
- Optional: Adler HY 24-O (2 x 120 kN) double-drum winch  
Max. cable take-up 14 mm, 140 m  
Adler HY 24-LO (2 x 120 kN) double-drum winch  
Max. cable take-up 14 mm, 190 m  
Adler HY 32-O (2 x 160 kN) double-drum winch  
Max. cable take-up 14 mm, 150 m  
Adler HY 32-LO (2 x 160 kN) double-drum winch  
Max. cable take-up 14 mm, 190 m  
TCM 16+ (2 x 160 kN) double-drum winch  
Max. cable take-up 14 mm, 220 m

**Weight:**

- 10.800 kg (series)
- Weight distribution: Front axle: 60 %  
Rear axle: 40 %

**Standard equipment:**

- 2200 mm wide front polder shield, lowerable straight shield  
2200 mm wide, fire extinguisher, first-aid kit, warning triangle, tool set

**Special equipment:**

- Radio control, cable winch, wireless driving, clamping arms for front shield, steering with joystick, street lighting set



## Soil-conserving short timber technology

- ✦ **Comfortable, easy-to-use cab**  
with climate control and readily accessible central electrical system
- ✦ **Work area light system**  
all in LED integrated and protected in the cab
- ✦ **State-of-the-art engine technology**
- ✦ **Climbing rung**  
hydraulic, foldable
- ✦ **Hinged front door**  
for easy cleaning of the radiator
- ✦ **Optional: Front bulldozer shield**
- ✦ **Tyres**  
up to 940 mm wide with a outer width of under 3 m
- ✦ **Official approval and homologation for road service** (Germany) as self-propelled work machine

Technical specifications from page 40. We would be happy to arrange a personal consultation appointment with one of our sales representatives.

With the HSM 208F model series, HSM offers forwarders from the 9 to class up to the 20 to class that can be custom-suited to the customer's needs, strong cranes, flexible stanchion systems, tiltable crane pillars, bogie lift, cable winches and much more, directly from the manufacturer. HSM has committed to offering economical, productive and soil-conserving forestry technology for state-of-the-art and sustainable forestry.

Like no other manufacturer, HSM has from the start pursued the goal of developing machines with wide tyres and small outer width to reduce the ground pressure. This has been incredibly successful with the HSM Bigfoot (940 mm wide tyres, outer width 3.0 m), but HSM has also demonstrated its pioneering technology with forestry machines that conserve soil and the environment with the development of steep slope technology.



- ✦ **Strong cranes**  
from Epsilon or Mesera with interior hoses, optionally with xyControl crane tip control
- ✦ **Variable stanchion concepts**  
adjustable, removable, quick-change and many more.
- ✦ **Rotating stanchion**  
with bearing slewing ring
- ✦ **Installation of cable winches**  
up to 10 tonnes tractive force or auxiliary traction winch
- ✦ **Optional: Tilttable crane pillar**



# HSM forwarders

## High-performance – flexible – ground-breaking



Gain critical advantages through a wide variety of custom solutions for your individual needs.

- Soil-conserving traction winch technology
  - Tilttable crane pillar
  - Bogie lift
  - Installation of felling unit or harvesting head and much more.
- HSM also offers the most innovative solutions in the area of drive concepts.

With the high speed drive you can drive up to 14 km/h in first gear while lowering operating costs with optimized efficiency. This combination of advanced drive technology with maximum comfort, ergonomics and reliability results in the highest productivity and efficiency.

Technik die Freude macht.



## Soil-conserving – productive – economical



# BigFoot



### Wide tyres with a small outer width

The 208F 10 to to 208F 12 to model series was equipped with extremely wide tyres of up to 940 mm with a small outer width of under 3 m at its market launch many years ago. The HSM 208F **BigFoot** is the result of consistent further development of this concept - **the perfect innovation for soil-conserving foresting technology!**

Equipped with special stanchions, the BigFoot can be driven

with 1340 mm wide belts that were developed for this purpose. This leads to productive and economical wood harvesting with little track depth on otherwise unnavigable wet surfaces. An additional efficient and resource-saving solution is using the **BigFoot** without belts. Higher driving speeds and lower fuel consumption – while also conserving the forest paths (due to decreased soil erosion) – are critical advantages for economic success.

Technik die Freude macht.

## HSM cab suspension HCS

### Ergonomics and comfort

With the newly developed HCS cab suspension, HSM once again proves its outstanding technical experience. HCS significantly reduces vibrations and shocks to the operator. This working and driving comfort results in a fatigue-free working day and an increase in production.

### How it works

Two arms with independent suspension cylinders are arranged each at the front and rear of the cabin. Each of the 4 cylinders has an integrated and thus protected sensor that serves to monitor and control the cabin suspension. Due to

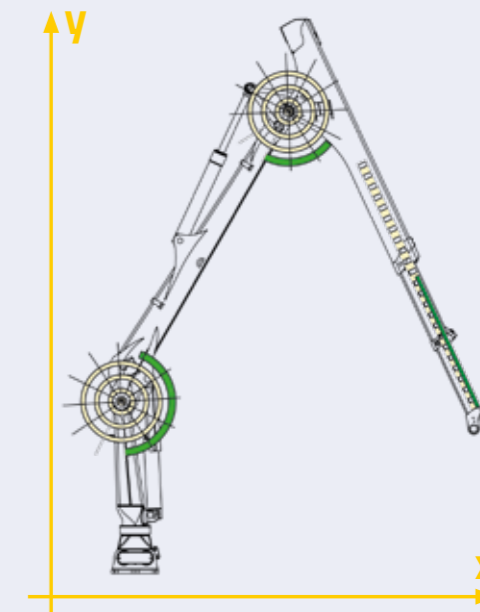
- ✦ Suspension in every direction
- ✦ Direct and sensitive response
- ✦ Unchanged transportation height
- ✦ Cab lift for good maintenance accessibility remains
- ✦ Integrated control
- ✦ 110 mm suspension travel
- ✦ Internal, contactless sensors integrated into the cylinders

the sophisticated kinematics, the cylinders work without tension, which results in a very direct response. The hydraulic valve block is installed in the vehicle frame, saving space. The functionality of the HSM cab lift is retained, ensuring a high level of accessibility even with cab suspension.



xyCONTROL | HSM

## HSM crane tip control



### Increased production and comfort

The intelligent crane tip control xyControl offers forestry machine operators a new dimension in crane control. Demanding work processes of the crane operator are easier, more comfortable and thus quicker to learn with the newly developed crane tip control xyControl.

Experienced machine operators also appreciate the advantages and conveniences using xyControl daily. Faster work processes and increased productivity in combination with a fatigue-free working day are crucial advantages after a minor training period.

### How it works

With the HSM crane tip control xyControl, the driver directly controls the movement of the crane tip. The individual hydraulic cylinders are controlled directly by xyControl. With 6 different levels of telescopic share, the driver can individually

adapt xyControl to different harvesting situations and timber assortments. The robust crane sensor system is adapted to the rough working environment. The driver can easily switch between conventional boom control and xyControl by a button.

- ✦ Increased productivity
- ✦ Increased comfort
- ✦ Reduced wear
- ✦ Direct control of the boom tip motion directions
- ✦ xyControl controls the individual functions main boom, luffing jib and telescopic boom
- ✦ Crane behaviour can be adapted by the operator to the timber assortment and environment
- ✦ End position damping of all joints
- ✦ Reduced vibrations leads to increased operator comfort and durability of the crane
- ✦ Slope adjustment for optimum working
- ✦ Range-dependent speed adjustment
- ✦ Available for forwarders and harvesters

## Technical data 208F

### Brake:

- Brake with 2-circles, oil-cooled multiple-disc power-brake
- Spring accumulator – parking brake

### Steering:

- Articulated frame steering with 2 cylinders
- Steering angle 45°

### Cabin:

- Raisable to side on parallel linkages
- ROPS, FOPS, OPS tested
- Rotary seat with pedals in front and rear
- Wiper in front and rear, optional on the side
- Air cushioned seat with seat heating
- Hot-water heating
- Air conditioning

### Electrics / Instruments:

- HSM Ecomand colour-display
- 5 operator programs + factory setting
- Diagnosis-tool and error-indication
- Graphic support at parameter editing
- Generator 110 A (28 V)
- 2 service-free dry batteries á 75 Ah

### Power train:

- NAF 2 speed transfer gearbox
- HSM High Speed Drive (series 71); speed at 1st gear 0-14 km/h

### Standard equipment:

- 14 LED-working headlight at cabin
- 4 working headlights at crane
- Potential transformer 24 V - 12 V
- Radio with CD
- Fire extinguisher
- First aid kit
- Warning triangle
- Tool kit
- Cooling box
- Reversing camera with color monitor
- Rear headlights
- Twist lock with 2 hydraulic cylinders

### Special equipment:

- Front dozer-blade
- Tandem axle lift (Bogie lift) front
- Turnable rung
- Last rung plugged
- Tiltable crane
- Quick-change system for rungs
- Clambunk
- Auxiliary heating
- Bogie-tracks
- Radio control for winch
- Drive by radio
- Sun blinds
- Pluggable front grid
- Cab suspension HCS
- Crane tip control xyControl (Epsilon crane only)
- Other accessories on request

Specified heights are minimum transport heights for standard equipment.

## 208F 4 cylinder

### Engine:

- VOLVO PENTA TAD581VE EU Stage V
  - Power: 129 kW (175 HP) from 1700 rpm
  - Max. revolution: 800 Nm from 1100 - 1500 rpm
  - Max. torque: 816 Nm at 1380 rpm
  - Displacement: 5,13 liters

Optional: from 208F 10 t

- VOLVO PENTA TAD583VE EU Stage V
  - Power: 175 kW (238 HP) from 1750 rpm
  - Max. revolution: 947 Nm from 1200 - 1750 rpm
  - Max. torque: 969 Nm at 1380 rpm
  - Displacement: 5,13 liters

### Hydraulic system:

- Load sensing
- Variable pump (working pump):
  - flow rate: 304 l/min at 1600 rpm
  - pressure: up to max. 350 bar
- Hydraulic oil: saturated synthetic ester Panolin HLP SYNTH with Kleenoil microfiltration; WGK 1

### Tank capacity:

- Diesel: 170 l
- AdBlue: 25 l
- Hydraulic oil: 130 l

## 208F 6 cylinder

### Engine:

- VOLVO PENTA TAD881VE EU Stage V
  - Power: 185 kW (252 HP) from 1600 rpm
  - Max. revolution: 1150 Nm from 1100 - 1500 rpm
  - Max. torque: 1175 Nm at 1400 rpm
  - Displacement: 7,7 liters

Optional:

- VOLVO PENTA TAD882VE EU Stage V
  - Power: 210 kW (286 HP) from 1700 rpm
  - Max. revolution: 1225 Nm from 1100 - 1600 rpm
  - Max. torque: 1255 Nm at 1400 rpm
  - Displacement: 7,7 liters

### Hydraulic system:

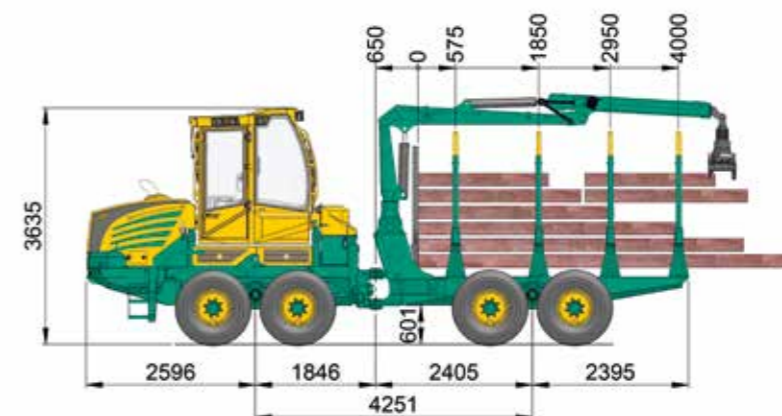
- Load sensing
- Variable pump (working pump):
  - flow rate: 304 l/min from 1600 rpm
  - pressure: up to max. 350 bar
- Hydraulic oil: saturated synthetic ester Panolin HLP SYNTH with Kleenoil microfiltration; WGK 1

### Tank capacity:

- |                |             |       |
|----------------|-------------|-------|
|                | 11 t / 12 t | 14 t  |
| Diesel:        | 190 l       | 225 l |
| AdBlue:        | 45 l        | 45 l  |
| Hydraulic oil: | 130 l       | 130 l |

## 208F 7 t

4 cylinder



### Weight:

- 13.900 kg (series)
- Weight distribution: front axle: 60 % rear axle: 40 %

### Tyres:

- |           | Width:      | Overall width: | Width for tracks: |
|-----------|-------------|----------------|-------------------|
| Series:   | 600/50-22,5 | 2300 mm        | 2400 mm           |
| Optional: | 650/45-22,5 | 2400 mm        | 2500 mm           |
|           | 710/40-22,5 | 2500 mm        | 2600 mm           |

### Axles:

- NAF portal-bogie-axes
- Front: switchable differential lock 100 %
- Rear: switchable differential lock 100 %

### Crane:

- Series: Epsilon C60 F69
- For further cranes see crane brochure

### Tank capacity:

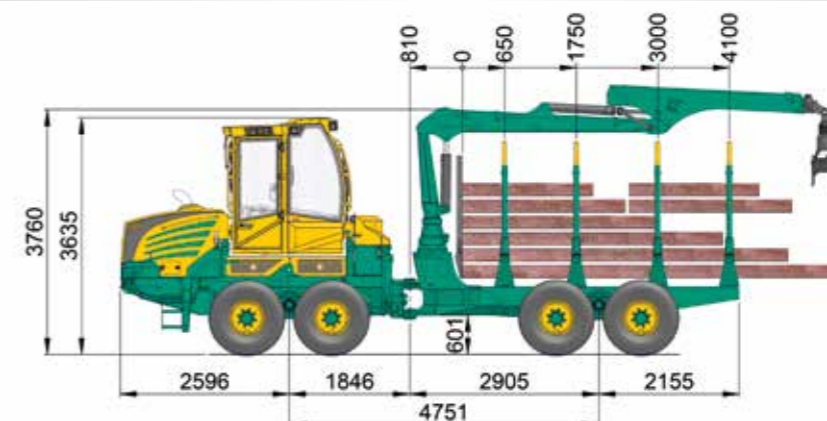
- Diesel: 150 l
- AdBlue: 25 l
- Hydraulic oil: 110 l

### Loading area:

- 4 rungs
- Length: 4000 mm
- Cross section: 2,9 m<sup>2</sup>, optional: 3,3 m<sup>2</sup>
- Load capacity: 7 t

## 208F 9 t

4 cylinder



### Weight:

- 14.800 kg (series)
- Weight distribution: front axle: 60 % rear axle: 40 %

### Tyres:

- |           | width:      | overall width: | width for tracks: |
|-----------|-------------|----------------|-------------------|
| Series:   | 710/40-22,5 | 2500 mm        | 2600 mm           |
| Optional: | 600/50-22,5 | 2300 mm        | 2400 mm           |
|           | 650/45-22,5 | 2400 mm        | 2500 mm           |

### Axles:

- NAF portal-bogie-axes
- Front: switchable differential lock 100 %
- Rear: switchable differential lock 100 %

### Crane:

- Series: Epsilon M70 F80
- For further cranes see crane brochure

### Tank capacity:

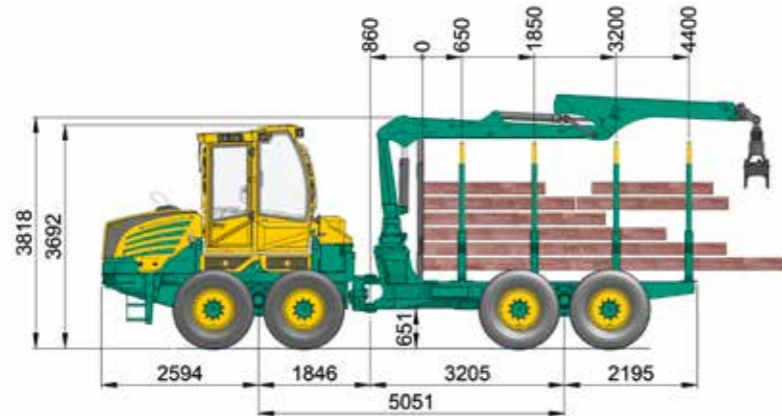
- Diesel: 150 l
- AdBlue: 25 l
- Hydraulic oil: 110 l

### Loading area:

- 4 rungs
- Length: 4100 mm
- Cross section: 3,6 m<sup>2</sup>, optional: 3,9 m<sup>2</sup>
- Load capacity: 9 t

## 208F 10 t

4 cylinder

**Weight:**

- from 17.200 kg
- Weight distribution: front axle: 60 %, rear axle: 40 %

**Tyres:**

	Width:	Overall width:	Width for tracks:
Series:	710/45-26,5	2600 mm	2700 mm
Optional:	600/55-26,5	2400 mm	2500 mm
	800/40-26,5	2700 mm	2800 mm
	870/40-26,5	2900 mm	3000 mm
	54x37-25	2900 mm	3000 mm

**Axles:**

- NAF portal-bogie-axles
- Front: switchable differential lock 100 %
- Rear: switchable differential lock 100 %

**Crane:**

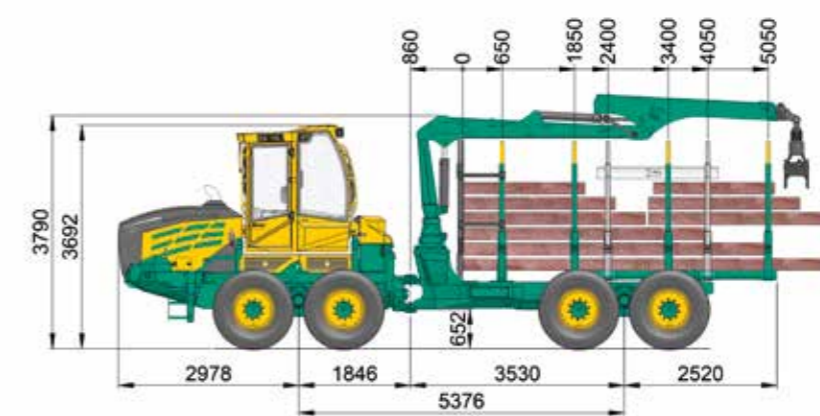
- Series: Epsilon M70 F80
- For further cranes see crane brochure

**Loading area:**

- 4 rungs
- Length: 4400 mm
- Cross section: 4,0 m<sup>2</sup> / Option 4,3 m<sup>2</sup>
- Load capacity: 10 t

## 208F 12 t

6 cylinder

**Weight:**

- from 18.200 kg
- Weight distribution: front axle: 60 %, rear axle: 40 %

**Tyres:**

	Width:	Overall width:	Width for tracks:
Series:	710/45-26,5	2600 mm	2700 mm
Optional:	600/55-26,5	2400 mm	2500 mm
	800/40-26,5	2700 mm	2800 mm
	870/40-26,5	2900 mm	3000 mm
	54x37-25	2900 mm	3000 mm

**Axles:**

- NAF portal-bogie-axles
- Front: switchable differential lock 100 %
- Rear: switchable differential lock 100 %

**Crane:**

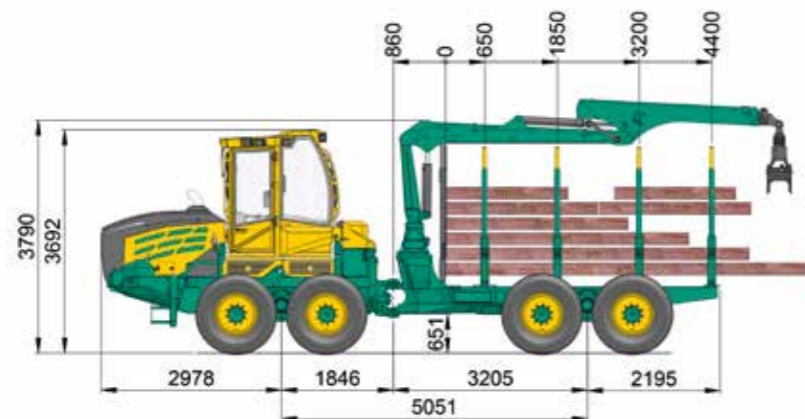
- Series: Epsilon M70 F80
- For further cranes see crane brochure

**Loading area:**

- 4 rungs, last rung extensible
- Length: 3700 mm - 4650 mm / Option 5050 (2 x 3 m)
- Cross section: 4,0 m<sup>2</sup> / Option 4,3 m<sup>2</sup>
- Load capacity: 12 t

## 208F 11 t

6 cylinder

**Weight:**

- from 17.800 kg
- Weight distribution: front axle: 60 %, rear axle: 40 %

**Tyres:**

	Width:	Overall width:	Width for tracks:
Series:	710/45-26,5	2600 mm	2700 mm
Optional:	600/55-26,5	2400 mm	2500 mm
	800/40-26,5	2700 mm	2800 mm
	870/40-26,5	2900 mm	3000 mm
	54x37-25	2900 mm	3000 mm

**Axles:**

- NAF portal-bogie-axles
- Front: switchable differential lock 100 %
- Rear: switchable differential lock 100 %

**Crane:**

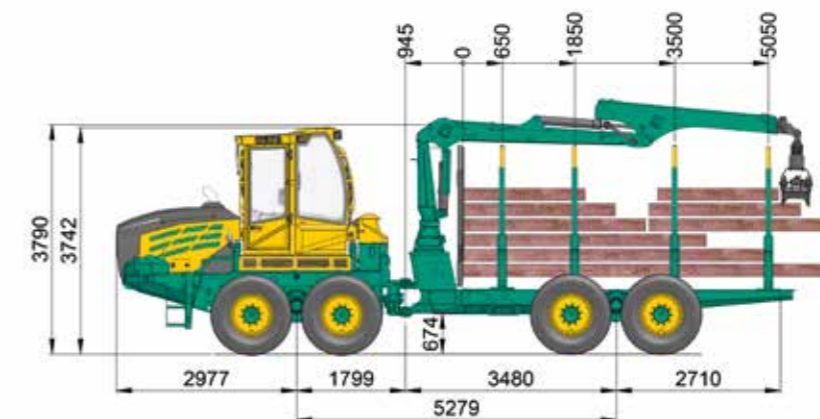
- Series: Epsilon M70 F80
- For further cranes see crane brochure

**Loading area:**

- 4 rungs
- Length: 4400 mm
- Cross section: 4,0 m<sup>2</sup> / Option 4,3 m<sup>2</sup>
- Load capacity: 11 t

## 208F 14 t

6 cylinder

**Weight:**

- from 18.500 kg
- Weight distribution: front axle: 60 %, rear axle: 40 %

**Tyres:**

	Width:	Overall width:	Width for tracks:
Series:	710/45-26,5	2860 mm	2960 mm
Optional:	600/55-26,5	2660 mm	2760 mm
	800/40-26,5	3000 mm	3000 mm

**Axles:**

- Balanced NAF portal-bogie-axles
- Front: switchable differential lock 100 %
- Rear: switchable differential lock 100 %

**Crane:**

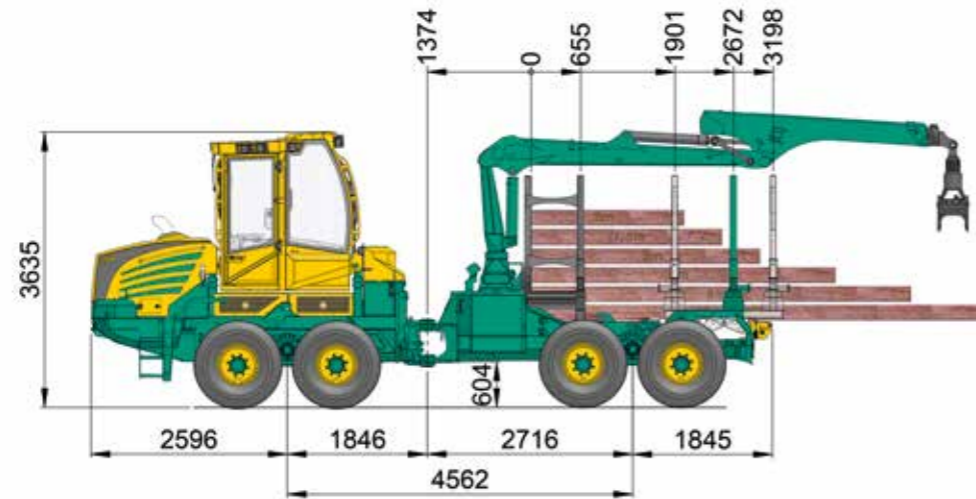
- Series: Epsilon M70 F80
- For further cranes see crane brochure

**Loading area:**

- 4 rungs
- Length: 5050 mm
- Cross section: 4,4 m<sup>2</sup>
- Load capacity: 14 t

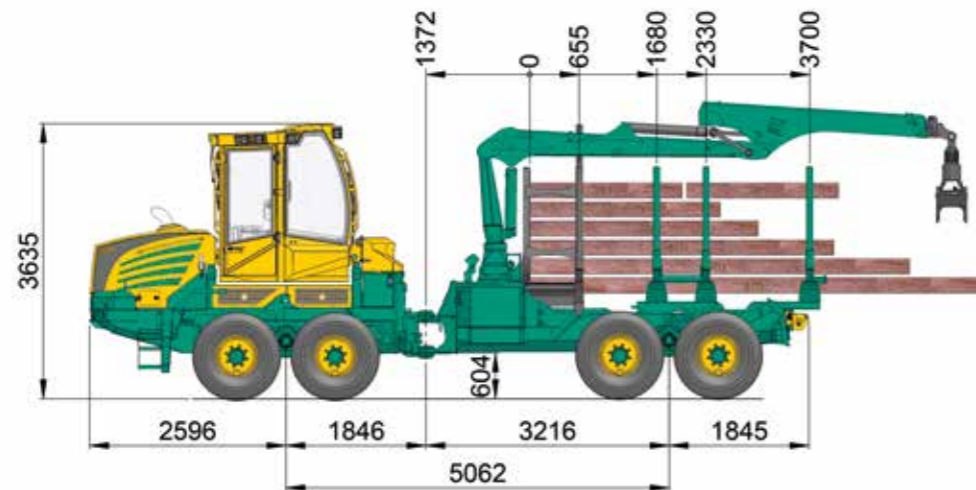
## 208F 9 t Kombi short

4 cylinder



## 208F 9 t Kombi long

4 cylinder

**Weight Kombi short / long:**

- 15.300 kg / 15.500 kg

**Load capacity:**

- 9 t

**Winches:**

- Series: Adler HY 16-SG (2x80 kN) double-drum-winch  
Max. cable take-up 4 mm, 100 m
- Optional: Adler HY 20-SG (2x100 kN) double-drum-winch  
Max. cable take-up 14 mm, 100 m

**Crane:**

- Series: Epsilon M70 F80
- For further cranes see crane brochure

**Tyres:**

- Series: 710/40x22,5 min. width: 2550 mm

By using tracks the min. width will change (+100 mm).  
Other tyres on request.

**Standard equipment:**

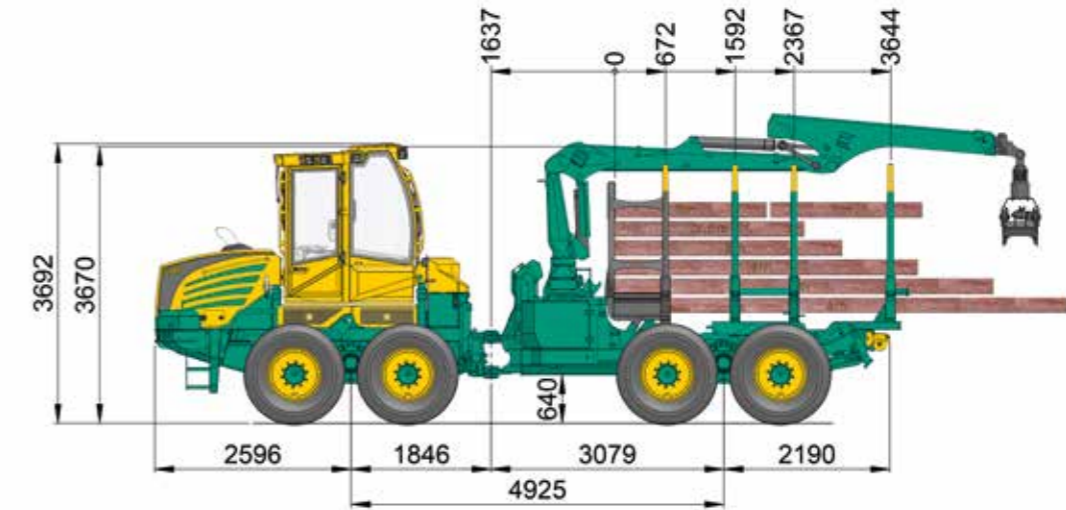
- Grid and first rung demountable
- Last rung demountable and displaceable to loading length:  
(short) 1,9 m, 2,7 m and 3,2 m  
(long) 2,4 m, 3,1 m and 3,7 m
- Roller-block, high adjustable
- twist lock with hydraulic cylinder
- Cross section 3,25 m<sup>2</sup>

**Special equipment:**

- Rear blade
- Clambunk with quick-change system
- Twin-rung as 2nd and 3rd rung on quick-change system (only Kombi long)
- Turnable rung
- Other accessories on request

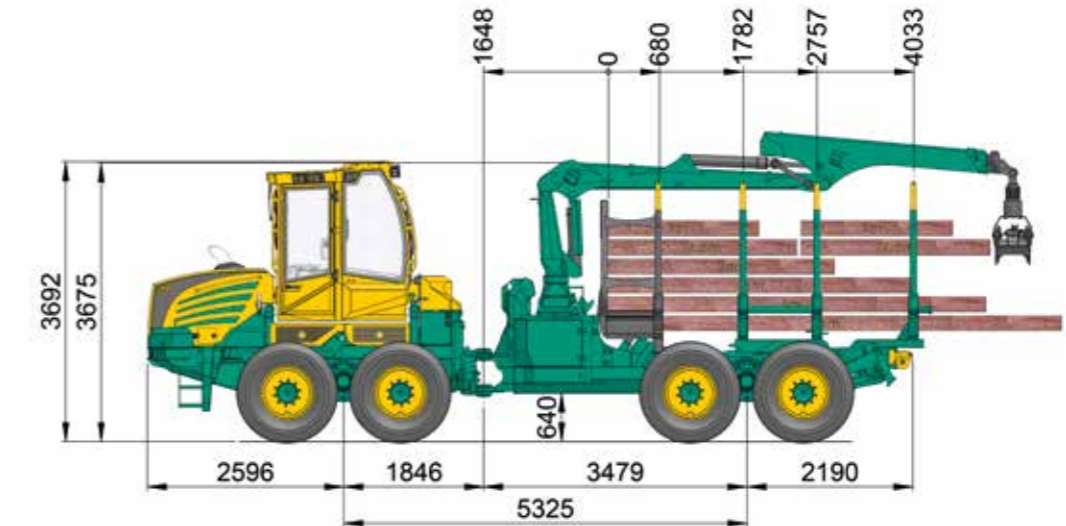
## 208F 10 t Kombi short

4 cylinder



## 208F 10 t Kombi long

4 cylinder

**Weight Kombi short / long:**

- from 17.700 kg / 17.900 kg

**Load capacity:**

- 10 t

**Winches:**

- Series: Adler HY 20-SG (2x100 kN) double-drum-winch  
Max. cable take-up 14 mm, 100 m
- Optional: Adler HY 24-SG (2x120 kN) double-drum-winch  
Max. cable take-up 14 mm, 130 m  
Adler HY 32 L-SG (2x160 kN) double-drum-winch  
Max. cable take-up 14 mm, 170 m

**Crane:**

- Series: Epsilon M70 F80
- For further cranes see crane brochure

**Tyres:**

- Series: 710/45x26,5 min. width: 2600 mm

By using tracks the min. width will change (+100 mm).  
Other tyres on request.

**Standard equipment:**

- Grid and first rung demountable
- Last rung demountable and displaceable to loading length:  
(short) 2,4 m, 3,2 m and 3,65 m  
(long) 2,8 m, 3,6 m and 4,05 m
- Roller-block, high adjustable
- Cross section 3,3 m<sup>2</sup>

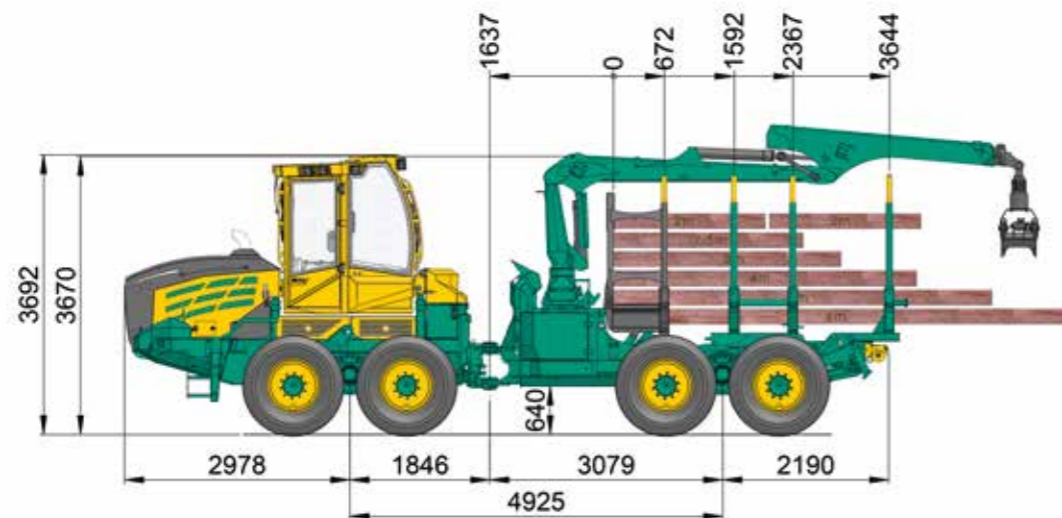
**Special equipment:**

- Fear blade
- Clambunk with quick-change system
- Twin-rung as 2nd and 3rd rung on quick-change system
- Turnable rung
- Tilttable crane
- Tandem axle lift (Bogie lift) rear
- Other accessories on request



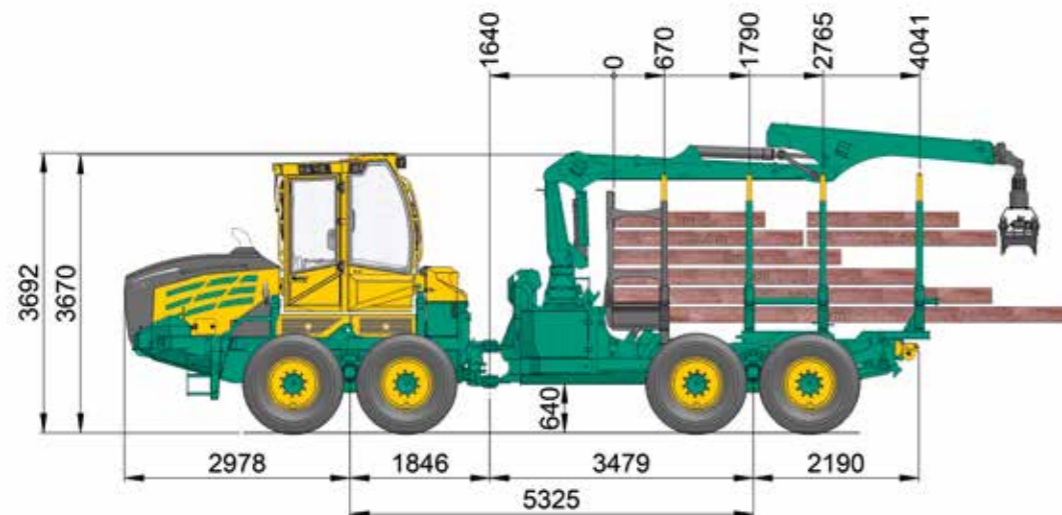
## 208F 11 t Kombi short

6 cylinder



## 208F 11 t Kombi long

6 cylinder

**Weight Kombi short / long:**

- from 19.600 kg / 19.800 kg

**Load capacity:**

- 11 t

**Winches:**

- Series: Adler HY 20 (2x100 kN) double-drum-winch  
Max. cable take-up 14 mm, 100 m
- Optional: Adler HY 24-SG (2x120 kN) double-drum-winch  
Max. cable take-up 14 mm, 130 m  
Adler HY 32 L-SG (2x160 kN) double-drum-winch  
Max. cable take-up 14 mm, 170 m

**Crane:**

- Series: Epsilon M70 F80
- For further cranes see crane brochure

**Tyres:**

- Series: 710/45x26,5 min. width: 2600 mm

By using tracks the min. width will change (+100 mm).  
Other tyres on request.

**Standard equipment:**

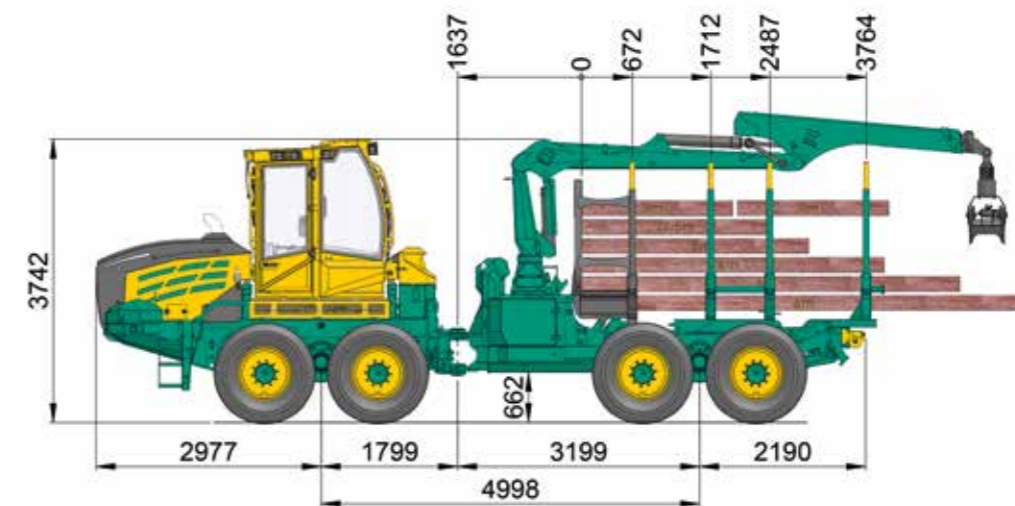
- Grid and first rung demountable
- Last rung demountable and displaceable to loading length  
(short) 2,4 m, 3,2 m and 3,65 m  
(long) 2,8 m, 3,6 m and 4,05 m
- Roller-block, high adjustable
- Cross section 3,3 m<sup>2</sup>

**Special equipment:**

- Fear blade
- Clambunk with quick-change system
- Twin-rung as 2nd and 3rd rung on quick-change system
- Turnable rung
- Tilttable crane
- Tandem axle lift (Bogie lift) rear
- Other accessories on request

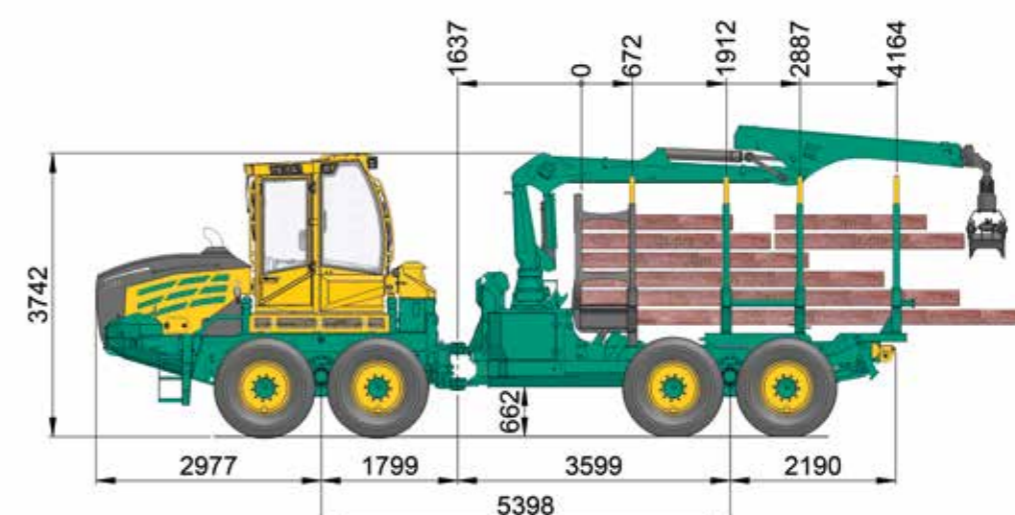
## 208F 14 t Kombi short

6 cylinder



## 208F 14 t Kombi long

6 cylinder

**Weight Kombi short / long:**

- 20.000 kg / 20.200 kg

**Load capacity:**

- 14 t

**Winches:**

- Series: Adler HY 20 (2x100 kN) double-drum-winch  
Max. cable take-up 14 mm, 100 m
- Optional: Adler HY 24-SG (2x120 kN) double-drum-winch  
Max. cable take-up 14 mm, 130 m  
Adler HY 32 L-SG (2x160 kN) double-drum-winch  
Max. cable take-up 14 mm, 170 m

**Crane:**

- Series: Epsilon M70 F80
- For further cranes see crane brochure

**Tyres:**

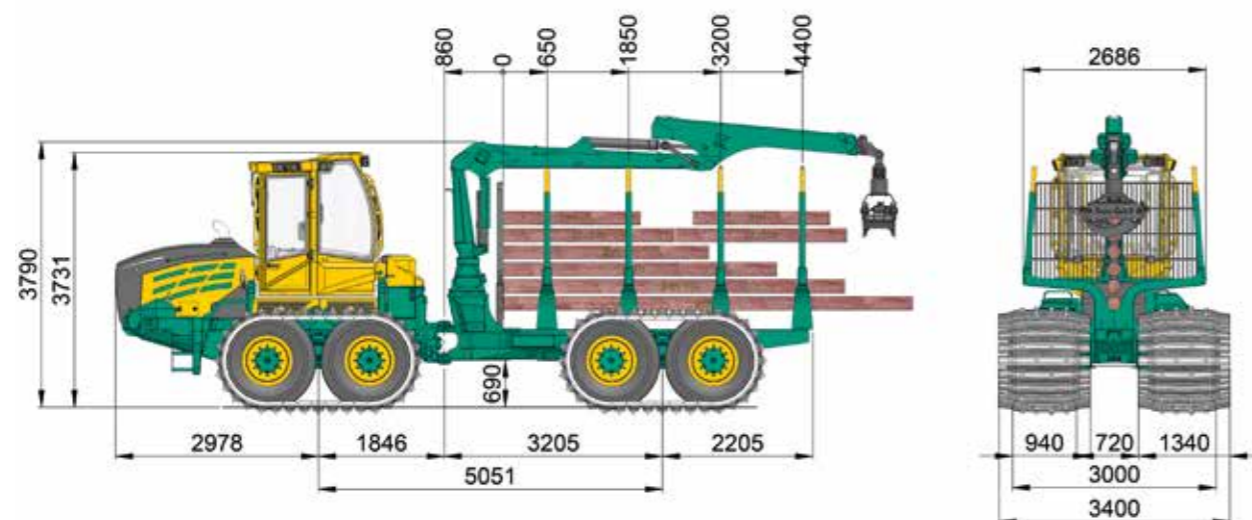
- Series: 710/45x26,5 min. width: 2850 mm

**Standard equipment:**

- Grid and first rung demountable
- Last rung demountable and displaceable to loading length:  
(short) 2,5 m, 3,3 m and 3,76 m  
(long) 2,9 m, 3,7 m and 4,16 m
- Height-adjustable roller block
- Cross section 3,8 m<sup>2</sup>

**Special equipment:**

- Rear blade
- Clambunk with quick-change system
- Twin-rung as 2nd and 3rd rung on quick-change system
- Turnable rung
- Tilttable crane
- Tandem axle lift (Bogie lift) rear
- Other accessories on request

**Engine:**

- VOLVO PENTA TAD881VE EU Stage V  
Power: 185 kW (252 HP) from 1600 rpm  
Max. revolution: 1150 Nm from 1100 - 1500 rpm  
Max. torque: 1175 Nm at 1400 rpm  
Displacement: 7,7 liters

## Optional:

- VOLVO PENTA TAD882VE EU Stage V  
Power: 210 kW (286 HP) from 1700 rpm  
Max. revolution: 1225 Nm from 1100 - 1600 rpm  
Max. torque: 1255 Nm at 1400 rpm  
Displacement: 7,7 liters

**Transmission:**

- NAF 2-speed transfer gearbox
- HSM High Speed Drive (71 series), 1st gear 0-14 km/h

**Axes:**

- NAF planetary axles
- Front: 100 % selectable differential lock
- Rear: 100 % selectable differential lock

**Brake:**

- 2-circuit brake, disk brake running in an oil bath
- Spring-loaded parking brake

**Steering:**

- Articulated steering with 2 cylinders
- 45° steering angle

**Tyres:**

- | Series:    | Size: | Total width |
|------------|-------|-------------|
| 54 x 37-25 |       | 3000 mm     |

**Tank capacity:**

- Diesel: 190 l
- AdBlue: 45 l
- Hydraulic oil: 130 l

**Hydraulic system:**

- Load sensing
- Variable pump (working pump):  
flow rate: 304 l/min bei 1600 rpm  
pressure: up to max. 350 bar
- Hydraulic oil: saturated synthetic ester Panolin HLP SYNTH with Kleenoil Microfiltration; WGK 1

**Cabin:**

- Parallel pivoting cab
- ROPS, FOPS, OPS tested safety cab
- Swivel seat with pedals in the rear and the front
- Windscreen wipers in the front and the rear, optional side wipers
- Air cushioned seat with seat heating
- Hot water heating
- Air conditioner

**Electrics / Instruments:**

- HSM Ecommand colour display
- 5 driving programs + factory setting
- Diagnostics function and error display
- Graphical support for editing parameters
- 110 A (28 V) generator
- 2 maintenance-free dry-cell batteries, each with 75 Ah

**Weight:**

- 18.500 kg (series)
- Weight distribution: Front axle: 60 %  
Rear axle: 40 %

**Torsion lock:**

- 2 hydraulic cylinders

**Loading crane:**

- Series: Epsilon M70 F80
- For further cranes see crane brochure

**Loading area:**

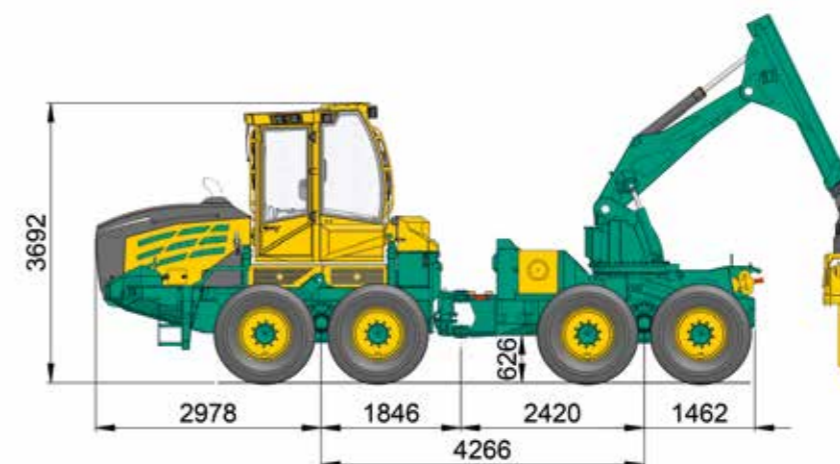
- 4 bunks
- Length: 4400 mm
- Cross-section: 3,8 m<sup>2</sup> / Option 4,2 m<sup>2</sup>
- Payload: 11 t

**Standard equipment:**

- 4 LED-working headlight at cabin
- 4 working headlights at crane
- Potential transformer, radio with CD, fire extinguisher, first aid kit, warning triangle, tool kit, cooling box

**Special equipment:**

- Front dozer-blade
- Tandem axle lift (Bogie lift) front
- Single-drum winch 7 t
- Turnable rung, tiltable crane, quick-change system for rungs

**Engine:**

- VOLVO PENTA TAD881VE EU Stage V  
Power: 185 kW (252 HP) from 1600 rpm  
Max. revolution: 1150 Nm from 1100 - 1500 rpm  
Max. torque: 1175 Nm at 1400 rpm  
Displacement: 7,7 liters

## Optional:

- VOLVO PENTA TAD882VE EU Stage V  
Power: 210 kW (286 HP) ab 1700 rpm  
Max. revolution: 1225 Nm von 1100 - 1600 rpm  
Max. torque: 1255 Nm bei 1400 rpm  
Displacement: 7,7 liters

**Transmission:**

- NAF 2-speed transfer gearbox
- HSM High Speed Drive (71 series), 1st gear 0-14 km/h

**Brake:**

- Brake with 2-circles, oil-cooled multiple-disc power-brake
- Spring accumulator - parking brake

**Steering:**

- Articulated frame steering with 2 cylinders
- 45° steering angle

**Hydraulic system:**

- Load sensing
- Variable pump (working pump):  
flow rate: 304 l/min bei 1600 rpm  
pressure: up to max. 350 bar
- Hydraulic oil: saturated synthetic ester Panolin HLP SYNTH with Kleenoil Microfiltration; WGK 1

**Tank capacity:**

- Diesel: 190 l
- AdBlue: 45 l
- Hydraulic oil: 130 l

**Winches:**

- Serie: Adler HY 20-SG (2 x 100 kN) double-drum-winch  
Max. cable take-up 14 mm, 100 m
- Optional: Adler HY 24-SG (2 x 120 kN) double-drum-winch  
Max. cable take-up 14 mm, 130 m  
Adler HY 32-SG (2 x 160 kN) double-drum winch  
Max. cable take-up 14 mm, 130 m

**Weight:**

- 20.000 kg (series)

**Cabin:**

- Raisable to side on parallel linkages
- ROPS, FOPS, OPS tested
- Rotary seat with pedals in front and rear
- Wiper in front and rear, optional on the side
- Air cushioned seat with seat heating
- Hot-water heating
- Air conditioning

**Electrics / Instruments:**

- HSM Ecommand colour-display
- 5 operator programs + factory setting
- Diagnosis-tool and error-indication
- Graphic support at parameter editing
- Generator 110 A (28 V)
- 2 service-free dry batteries à 75 Ah

**Standard equipment:**

- 14 LED-working headlight at cabin
- 4 working headlights at crane
- Reversing camera with color monitor
- Rear headlights
- Potential transformer 24 V - 12 V
- Radio with CD, fire extinguisher, first aid kit, warning triangle, tool kit, cooling box
- Twist lock with 2 hydraulic cylinders

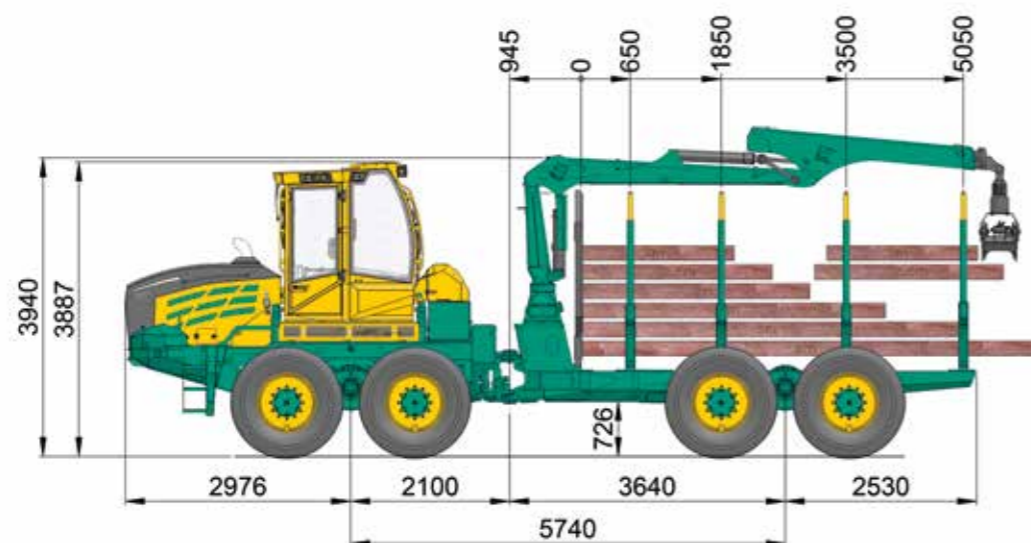
**Special equipment:**

- Front dozer-blade
- Straight shield with sprag brake
- Hydraulically height-adjustable roller block
- Tandem axle lift (Bogie lift) in front and rear
- „Skidder France“ version pulley
- Auxiliary heating
- Radio control for winch
- Drive by radio
- Sun blinds
- Hydraulic oil preheating
- Cab suspension
- Other accessories on request

**Crane:**

- Articulated arm with double telescope: 7,3 m range
- Lifting moment gross: 260 kNm
- Slewing angle: 255°
- Slewing torque: 80 kNm
- Gripper cross-section: 1,2 m<sup>2</sup>
- Optional: HSM S3 - 7.5: 7,5 m range  
HSM S3 - 8.4: 8,4 m range  
HSM S3 - 10: 10 m range

## 208F 20 t

**Engine:**

- VOLVO PENTA TAD882VE EU Stage V
- Power: 210 kW (286 HP) from 1700 rpm
- Max. revolution: 1225 Nm from 1100 - 1600 rpm
- Max. torque: 1255 Nm at 1400 rpm
- Displacement: 7,7 liters

## Optional:

- VOLVO PENTA TAD884VE EU Stage V
- Power: 250 kW (340 HP) from 1800 rpm
- Max. revolution: 1330 Nm from 1200 - 1800 rpm
- Max. torque: 1360 Nm at 1400 rpm
- Displacement: 7,7 liters

**Transmission:**

- NAF 2-speed transfer gearbox
- HSM High Speed Drive (71 series), 1st gear 0-14 km/h

**Axles:**

- NAF planetary axles
- Front: 100 % selectable differential lock
- Rear: 100 % selectable differential lock

**Brake:**

- 2-circuit brake, disk brake running in an oil bath
- Spring-loaded parking brake

**Steering:**

- Articulated steering with 2 cylinders
- 45° steering angle

**Tyres:**

- | Series:     | Size: | Total width: |
|-------------|-------|--------------|
| 750/55-26,5 |       | 3000 mm      |

**Tank capacity:**

- Diesel: 220 l + 65 l
- AdBlue: 45 l
- Hydraulic oil: 170 l

**Hydraulic system:**

- Load sensing
- Variable pump (working pump):
 

flow rate:	304 l/min at 1600 rpm
pressure:	up to max. 350 bar
- Hydraulic oil: saturated synthetic ester Panolin HLP SYNTH with Kleenoil Microfiltration; WGK 1

**Cabin:**

- Parallel pivoting cab
- ROPS, FOPS, OPS tested safety cab
- Swivel seat with pedals in the rear and the front
- Windscreen wipers in the front and the rear, optional side wipers
- Air cushioned seat with seat heating
- Hot water heating
- Air conditioner

**Electrics / Instruments:**

- HSM Ecomand colour display
- 5 driving programs + factory setting
- Diagnostics function and error display
- Graphical support for editing parameters
- 110 A (28 V) generator
- 2 maintenance-free dry-cell batteries, each with 75 Ah

**Weight:**

- 21.800 kg (series)
- Weight distribution: Front axle: 60 %  
Rear axle: 40 %

**Torsion lock:**

- 2 hydraulic cylinders

**Loading crane:**

- Series: Epsilon M70 F80
- For further cranes see crane brochure

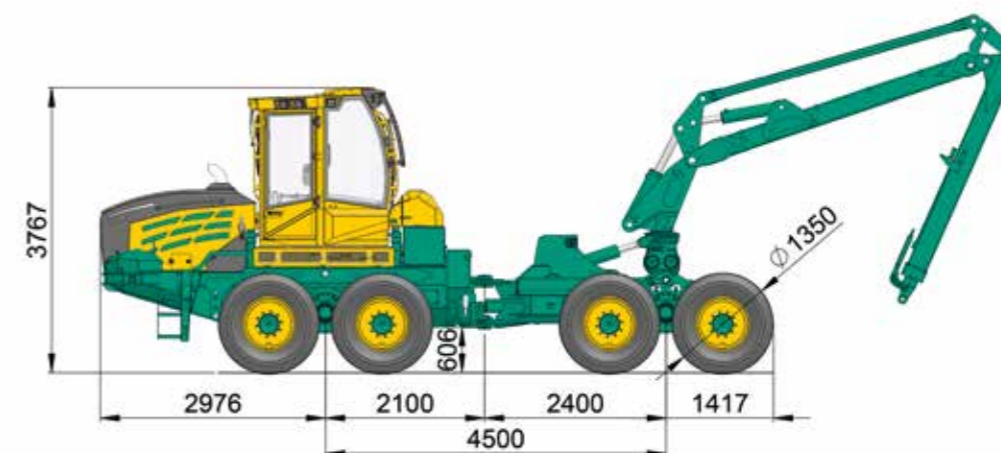
**Loading area:**

- 4 bunks
- Length: 4400 mm
- Cross-section: 4,9 m<sup>2</sup> / Option 4,2 m<sup>2</sup>
- Payload: 20 t

**Standard equipment:**

- 4 LED-working headlight at cabin
- 4 working headlights at crane
- Potential transformer, radio with CD, fire extinguisher, first aid kit, warning triangle, tool kit, cooling box

## 208H2

**Engine:**

- VOLVO PENTA TAD882VE EU Stage V
- Power: 210 kW (286 HP) from 1700 rpm
- Max. revolution: 1225 Nm from 1100 - 1600 rpm
- Max. torque: 1255 Nm at 1400 rpm
- Displacement: 7,7 liters

**Transmission:**

- NAF 2-speed transfer gearbox
- HSM High Speed Drive (71 series), 1st gear 0-14 km/h

**Axles:**

- NAF planetary axles
- Front: 100 % selectable differential lock
- Rear: 100 % selectable differential lock

**Brake:**

- 2-circuit brake, disk brake running in an oil bath
- Spring-loaded parking brake

**Steering:**

- Articulated steering with 2 cylinders
- 45° steering angle

**Tyres:**

- | Series:     | Size: | Total width: |
|-------------|-------|--------------|
| 710/45-26,5 |       | 3000 mm      |

**Tank capacity:**

- Diesel: 220 l + 65 l
- AdBlue: 45 l
- Hydraulic oil: 170 l

**Hydraulic system:**

- Load sensing
- Variable pump (working pump):
 

flow rate:	304 l/min at 1600 rpm
pressure:	up to max. 350 bar
- Hydraulic oil: saturated synthetic ester Panolin HLP SYNTH with Kleenoil Microfiltration; WGK 1

**Cabin:**

- Parallel pivoting cab
- ROPS, FOPS, OPS tested safety cab
- Swivel seat with pedals in the rear and the front
- Windscreen wipers in the front and the rear, optional side wipers
- Air cushioned seat with seat heating
- Hot water heating
- Air conditioner

**Crane:**

- Mesera M221 H100 / H110
- Range: 10 m / 11 m
- Lifting moment gross: 188 kNm
- Slewing torque: 43,6 kNm
- Tilttable: +24°/-30°

## Optional:

- Mesera M240 H103 / H111
- Range: 10,3 m / 11,1 m
- Lifting moment gross: 240 kNm
- Slewing torque: 54 kNm
- Tilttable: +22°/-30°

**Aggregate:**

- Logmax 6000
- Felling diameter: 650 mm
- Delimiting diameter: 500 mm
- Max. feed force: 26,9 kN
- Max. feed force speed: 4,2 m/s
- Max. operating pressure: 280 bar
- Weight: 1.330 kg
- Control: LOG Mate
- Other aggregates on request

**Electrics / Instruments:**

- HSM Ecomand colour display
- 5 driving programs + factory setting
- Diagnostics function and error display
- Graphical support for editing parameters
- 110 A (28 V) generator
- 2 maintenance-free dry-cell batteries, each with 75 Ah

**Weight:**

- 20.800 kg (series)
- Weight distribution: Front axle: 60 %  
Rear axle: 40 %

**Torsion lock:**

- 2 hydraulic cylinders

**Standard equipment:**

- 4 LED-working headlight at cabin
- 4 working headlights at crane
- Potential transformer, radio with CD, fire extinguisher, first aid kit, warning triangle, tool kit, cooling box

From the beginning, HSM has used the established 8WD concept in the 405H harvester series that is now being used in the market. Low-built crane, the strong torsion lock, deep built-in engine and diesel tank ensure maximum stability. An additional feature is the large steering angle of 50°, which ensures manoeuvrability that is often greater than that of comparable 6WD machines.

Cranes with a lifting moment of up to 380 kNm and a reach of up to 15 m leave nothing to be desired. HSM sets standards for hydraulic output and efficiency. In combination with the KWF award-winning storage system, you experience performance and productivity like never before. The HSM 405H is also available as a steep slope version with up to 450 m of cable. Efficiency, reliability and productivity ensure your success.

- ✦ **Dynamic stabiliser**
- ✦ **Adjustable rims**  
for even more stability
- ✦ **Hydraulically foldable engine bonnets**  
for optimal accessibility
- ✦ **State-of-the-art engine technology**
- ✦ **Large radiator**  
with standard additional oil cooler
- ✦ **Optionally with slope winch HSW 15B**
- ✦ **Cab with 270° rotation**  
for driving out of narrow passageways and when driving on roads
- ✦ **Comfortable, easy-to-use cab**  
soundproof and fully air-conditioned
- ✦ **Work area light system**  
all in LED



## Premium-class harvester technology



- ✦ **Cranes**  
up to 15 m range and tilt angle of + 30° and - 24°
- ✦ **Front bogie lift (series)**  
rear optional
- ✦ **Harvesting heads**  
from Waratah oder Log Max, additional manufacturers on request
- ✦ **Storage system**  
built in awarded with the KWF Innovation Award
- ✦ **Official approval and homologation for road service (Germany)**  
as self-propelled work machine

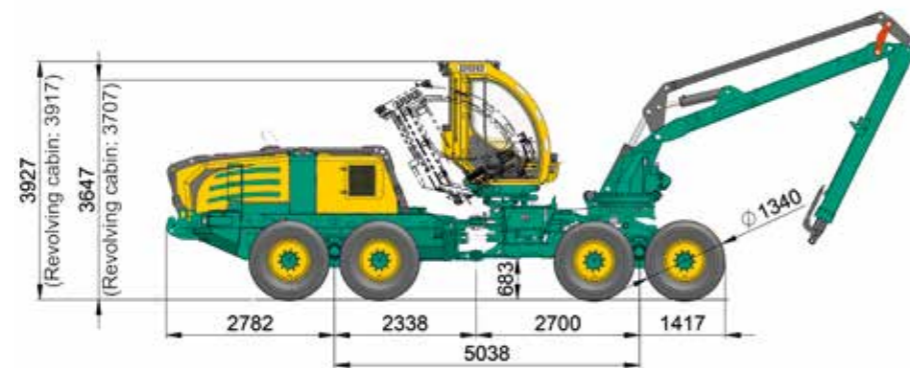
Technical specifications see page 56-59. We would be happy to arrange a personal consultation appointment with one of our sales representatives.



# Experience creates trust – pioneering harvester technology for your success



## 405H2 8WD

**Engine (6 cylinder):**

- VOLVO PENTA TAD882VE EU Stage V
- Power: 210 kW (286 HP) from 1700 rpm
- Max. revolution: 1225 Nm from 1100 - 1600 rpm
- Max. torque 1255 Nm at 1400 rpm
- Displacement: 7,7 liters

**Transmission:**

- Hydrostatic-mechanical
- NAF 2-speed transfer gearbox

**Axles:**

- NAF balanced portal tandem axles
- Front: 100 % selectable differential lock
- Rear: 100 % selectable differential lock

**Brake:**

- 2-circuit brake, disk brakes running in an oil bath
- Spring-loaded parking brake

**Steering:**

- Articulated steering with 2 cylinders
- 2 steering cylinders, 50° steering angle

**Tyres:**

	Size:	Total width
Series:	710/45-26,5	2880 mm tapes and chains
Optional:	800/40-26,5	2980 mm only tapes
	600/55-26,5	3060 mm tapes and chains
		2660 mm tapes and chains

**Tank capacity:**

- Diesel: 500 l
- AdBlue: 45 l
- Hydraulic oil: 250 l

**Hydraulic system:**

- Load sensing
- Variable pump: Crane pump: 190 cm<sup>3</sup>  
Head pump: 190 cm<sup>3</sup>  
(working pump) flow rate: 532 l/min at 1400 rpm  
pressure: up to 380 bar
- Hydraulic oil: saturated synthetic ester  
Panolin HLP SYNTH with Kleenoil  
Microfiltration; WGK 1

**Cabin:**

- Height-adjustable at the front / rear +10° / -29°
- Bent Lexan windscreen
- Windscreen wipers in the front and at the side
- ROPS, FOPS, OPS tested safety cab
- Air cushioned seat with seat heating
- Hot water heating
- Auxiliary heating with cooling water and hydraulic oil preheating
- Air conditioner
- Optional height-adjustable and rotatable (270°), front / rear +10° / -12°, (restricted to -24°) lateral +/- 9°
- Optional: Sun blinds

**Electrics / Instruments:**

- HSM Ecommand colour display
- 5 driving programs + factory setting
- Diagnostics function and error display
- Graphical support for editing parameters
- 110 A (28 V) generator
- 2 maintenance-free dry-cell batteries, each with 75 Ah

**Weight:**

- from 25.400 kg

**Torsion lock:**

- 2 hydraulic cylinders

**Crane:**

- Mesera M221 H100 / H110
 

Range:	10 m / 11 m
Lifting moment gross:	188 kNm
Slewing torque:	43,6 kNm
Slewing angle:	260°
Tilt angle:	+24°/-30°
- Optional:
  - Mesera M240 H103 / H111
 

Range:	10,3 m / 11 m
Lifting moment gross:	240 kNm
Slewing torque:	54 kNm
Slewing angle:	260°
Tilt angle:	+24°/-30°

**Aggregate:**

- Logmax 6000
 

Felling diameter:	650 mm
Delimiting diameter:	500 mm
Max. feed force:	26,9 kN
Max. feed force speed:	4,2 m/s
Max. operating pressure:	280 bar
Weight:	1.330 kg
Control:	LOG Mate
- Other aggregates on request

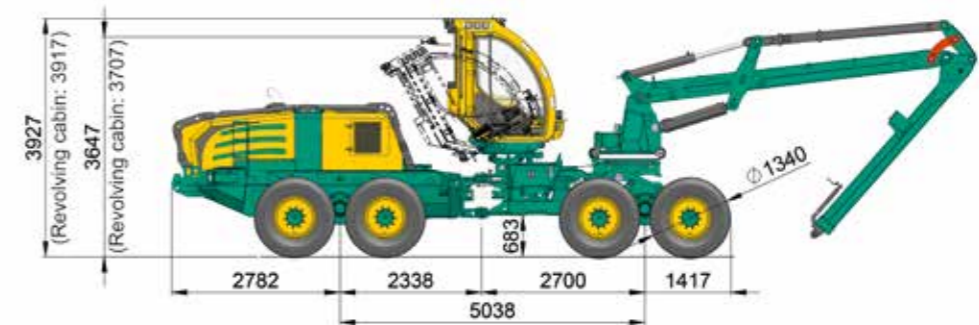
**Standard equipment:**

- 20 LED work lights on the cab, 4 work lights in front of the crane, 2 LED work lights on the crane column, 2 LED work lights on the rear frame, bogie lift front separately switchable, voltage converter on-board voltage 24 V to 12 V, end cushioning for crane and steering cylinder, radio, fire extinguisher, first-aid kit, warning triangle, tool set, bypass filter, Diesel fill pump, hydraulic fill pump, vacuum pump

**Special equipment:**

- GPS system
- Data transfer
- Bogie lift engine carriage
- Attachement steep slope winch, traction constant 120 kN, max. 150 kN
- Air compressor 24 V
- Guard bracket bonnet

## 405H3 8WD

**Engine (6 cylinder):**

- VOLVO PENTA TAD882VE EU Stage V
- Power: 210 kW (286 HP) from 1700 rpm
- Max. revolution: 1225 Nm from 1100 - 1600 rpm
- Max. torque 1255 Nm at 1400 rpm
- Displacement: 7,7 liters

**Optional:**

- VOLVO PENTA TAD884VE EU Stage V
- Power: 250 kW (340 HP) from 1800 rpm
- Max. revolution: 1330 Nm from 1200 - 1800 rpm
- Max. torque 1360 Nm at 1400 rpm
- Displacement: 7,7 liters

**Transmission:**

- Hydrostatic-mechanical
- NAF 2-speed transfer gearbox

**Axles:**

- NAF balanced portal tandem axles
- Front: 100 % selectable differential lock
- Rear: 100 % selectable differential lock

**Brake:**

- 2-circuit brake, disk brakes running in an oil bath
- Spring-loaded parking brake

**Steering:**

- Articulated steering with 2 cylinders
- 2 steering cylinders, 50° steering angle

**Tyres:**

	Size:	Total width
Series:	710/45-26,5	2880 mm tapes and chains
Optional:	800/40-26,5	2980 mm only tapes
	600/55-26,5	3060 mm tapes and chains
		2660 mm tapes and chains

**Tank capacity:**

- Diesel: 500 l
- AdBlue: 45 l
- Hydraulic oil: 250 l

**Hydraulic system:**

- Load sensing
- Variable pump: Crane pump: 190 cm<sup>3</sup>  
Head pump: 190 cm<sup>3</sup>  
(working pump) flow rate: 532 l/min bei 1400 rpm  
pressure: up to max. 380 bar
- Hydraulic oil: saturated synthetic ester  
Panolin HLP SYNTH with Kleenoil  
Microfiltration; WGK 1

**Cabin:**

- Height-adjustable at the front / rear +10° / -29°
- Bent Lexan windscreen
- Windscreen wipers in the front and at the side
- ROPS, FOPS, OPS tested
- Tested safety cab
- Air cushioned seat with seat heating
- Hot water heating
- Auxiliary heating with cooling water and hydraulic oil preheating
- Air conditioner
- Optional height-adjustable and rotatable (270°), front / rear +10° / -12°, (restricted to -24°) lateral +/- 9°
- Optional: Sun blinds

**Electrics / Instruments:**

- HSM Ecommand colour-display
- 5 operator programs + factory setting
- Diagnosis-tool and error-indication
- Graphic support at parameter editing
- Generator 110 A (28 A)
- 2 service-free dry batteries à 75 Ah

**Weight:**

- from 26.200 kg

**Torsion lock:**

- 2 hydraulic cylinders

**Crane:**

- Mesera M280 V110
 

Range:	11 m
Lifting moment gross:	280 kNm
Slewing torque:	65 kNm
Slewing angle:	260°
Tilt angle:	+24°/-30°
- Other cranes on request

**Aggregate:**

- Logmax 6000
 

Felling diameter:	650 mm
Delimiting diameter:	500 mm
Max. feed force:	26,9 kN
Max. feed force:	4,2 m/s
Max. operating pressure:	280 bar
Weight:	1.330 kg
Control:	LOG Mate
- Other aggregates on request

**Standard equipment:**

- 20 LED work lights on the cab, 4 work lights in front of the crane, 2 LED work lights on the crane column, 2 LED work lights on the rear frame, bogie lift front separately switchable, voltage converter on-board voltage 24 V to 12 V, end cushioning for crane and steering cylinder, radio, fire extinguisher, first-aid kit, warning triangle, tool set, bypass filter, Diesel fill pump, hydraulic fill pump, vacuum pump

**Special equipment:**

- Crane tip control xyControl (Epsilon crane)

## 405H4 8WD

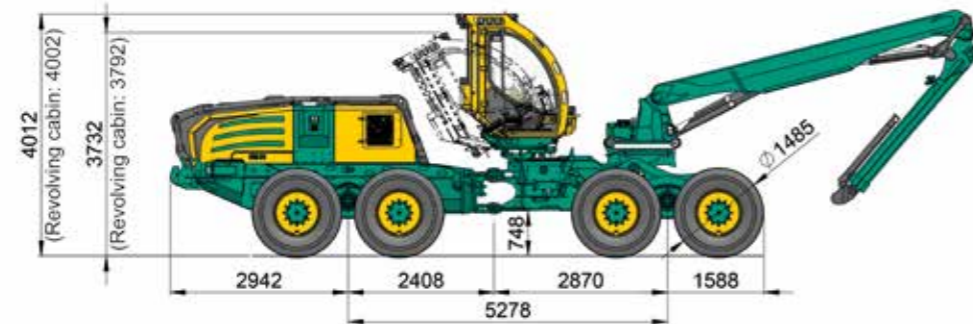


Fig. with Epsilon X270 H107 crane

### Engine (6 cylinder):

- VOLVO PENTA TAD884VE EU Stage V
- Power: 250 kW (340 HP) from 1800 rpm
- Max. revolution: 1330 Nm from 1200 - 1800 rpm
- Max. torque: 1360 Nm at 1400 rpm
- Displacement: 7,7 liters

### Transmission:

- Hydrostatic-mechanical
- NAF 2-speed transfer gearbox

### Axles:

- NAF balanced portal tandem axles
- Front: 100 % selectable differential lock
- Rear: 100 % selectable differential lock

### Brake:

- 2-circuit brake, disk brakes running in an oil bath
- Spring-loaded parking brake

### Steering:

- Articulated steering with 2 cylinders
- 2 steering cylinders, 50° steering angle

### Tyres:

- |           | Size:        | Total width              |
|-----------|--------------|--------------------------|
| Series:   | 750/55-R26,5 | at 2900 mm               |
|           |              | 3000 mm tapes and chains |
| Optional: | 650/55-R26,5 | 2900 mm tapes and chains |

### Tank capacity:

- |                |       |
|----------------|-------|
| Diesel:        | 500 l |
| AdBlue:        | 45 l  |
| Hydraulic oil: | 250 l |

### Hydraulic system:

- Load Sensing
- Variable pump: crane pump: 190 cm<sup>3</sup>  
head pump: 190 cm<sup>3</sup>  
(working pump) flow rate: 532 l/min at 1400 rpm  
pressure: up to max. 380 bar
- Hydraulic oil: saturated synthetic ester  
Panolin HLP SYNTH with Kleenoil  
Microfiltration; WGK 1

### Cabin:

- Height-adjustable at the front / rear +10° / -29°
- Bent Lexan windscreen
- Windscreen wipers in the front and at the side
- ROPS, FOPS, OPS tested
- Tested safety cab
- Air cushioned seat with seat heating
- Hot water heating
- Auxiliary heating with cooling water and hydraulic oil preheating
- Air conditioner
- Optional height-adjustable and rotatable (270°), front / rear +10° / -12°, (restricted to -24°) lateral +/- 9°
- Optional: Sun blinds

### Electrics / Instruments:

- HSM Ecomand colour-display
- 5 operator programs + factory setting
- Diagnosis-tool and error-indication
- Graphic support at parameter editing
- Generator 110 A (28 A)
- 2 service-free dry batteries á 75 Ah

### Weight:

- from 29.200 kg

### Torsion lock:

- 2 hydraulic cylinders

### Crane:

- Epsilon X270 H107
- Range: 10,9 m
- Lifting moment gross: 360 kNm
- Slewing torque: 92 kNm
- Slewing angle: 260°
- Tilt angle: +24°/-30°

### Optional:

- HSM H4-15
- Range: 15 m
- Lifting moment gross: 380 kNm
- Slewing torque: 92 kNm
- Slewing angle: 260°
- Tilt angle: +24°/-30°

### Aggregate:

- Logmax 6000
- Felling diameter: 650 mm
- Delimiting diameter: 500 mm
- Lifting moment gross: 26,9 kNm
- Max. feed force speed: 4,2 m/s
- Max. operating pressure: 280 bar
- Weight: 1.330 kg
- Control: LOG Mate
- Other aggregates on request

### Standard equipment:

- 20 LED work lights on the cab, 4 work lights in front of the crane, 2 LED work lights on the crane column, 2 LED work lights on the rear frame, bogie lift front separately switchable, voltage converter on-board voltage 24 V to 12 V, end cushioning for crane and steering cylinder, radio, fire extinguisher, first-aid kit, warning triangle, tool set, bypass filter, Diesel fill pump, hydraulic fill pump, vacuum pump

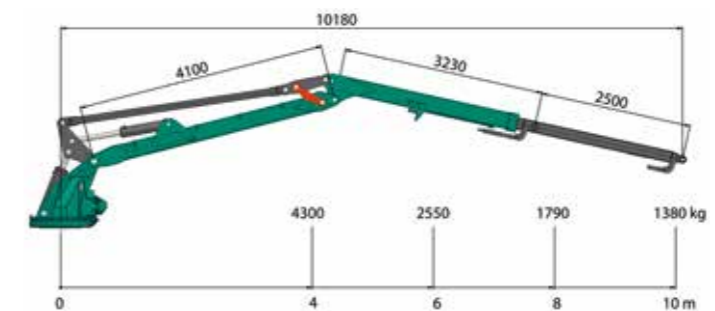
### Special equipment:

- GPS system
- Data transfer
- Bogie lift engine carriage
- Attachement steep slope winch, traction constant 120 kN, max. 150 kN
- Air compressor 24 V
- Guard bracket bonnet

## Crane 405H

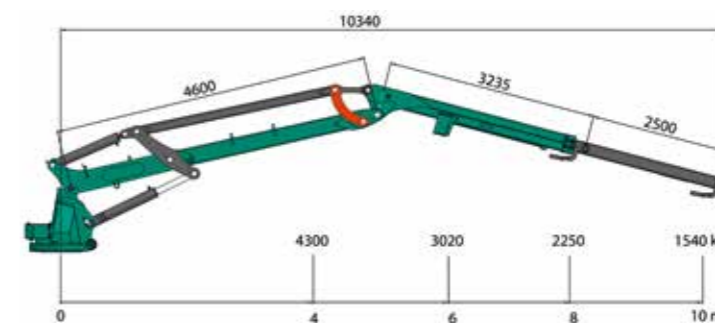
### Crane M221 H100:

Lifting moment gross	188 kNm
Slewing torque	43,6 kNm
Slewing angle	260°



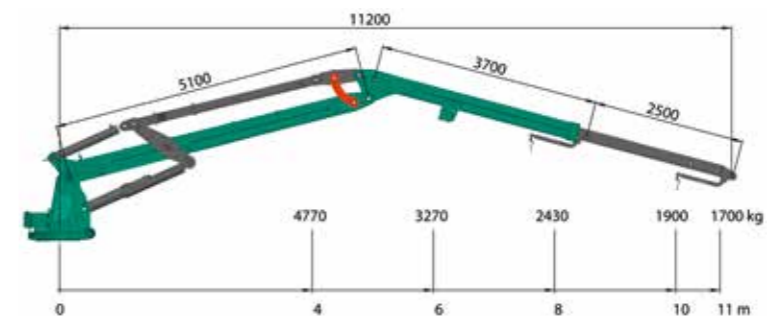
### Crane M240 H103:

Lifting moment gross	240 kNm
Slewing torque	54 kNm
Slewing angle	260°



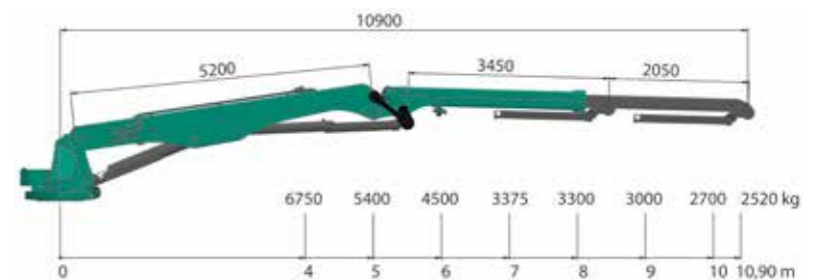
### Crane M280 V110:

Lifting moment gross	280 kNm
Slewing torque	65 kNm
Slewing angle	260°



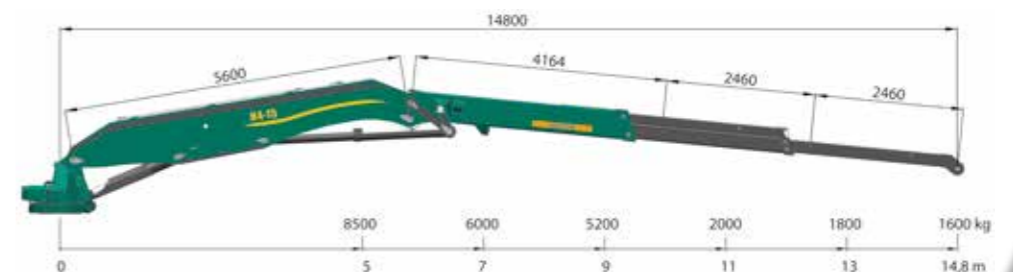
### Crane X270 H107:

Lifting moment net	270 kNm
Slewing torque	92 kNm
Slewing angle	260°



### Crane HSM H4-15:

Lifting moment gross	380 kNm
Slewing torque	80 kNm
Slewing angle	260°



## HSM steep slope technology

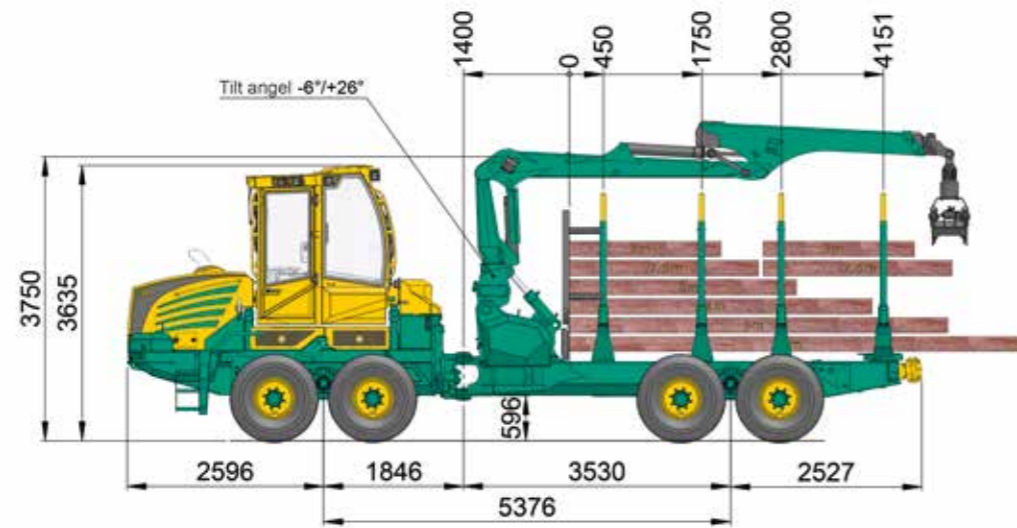


As a technically leading specialist in steep slope technology, HSM offers the right solution for all applications. The HSW15 or HSW9 auxiliary traction winches integrated in the 208F frame with perfect synchronous control enable relaxed,

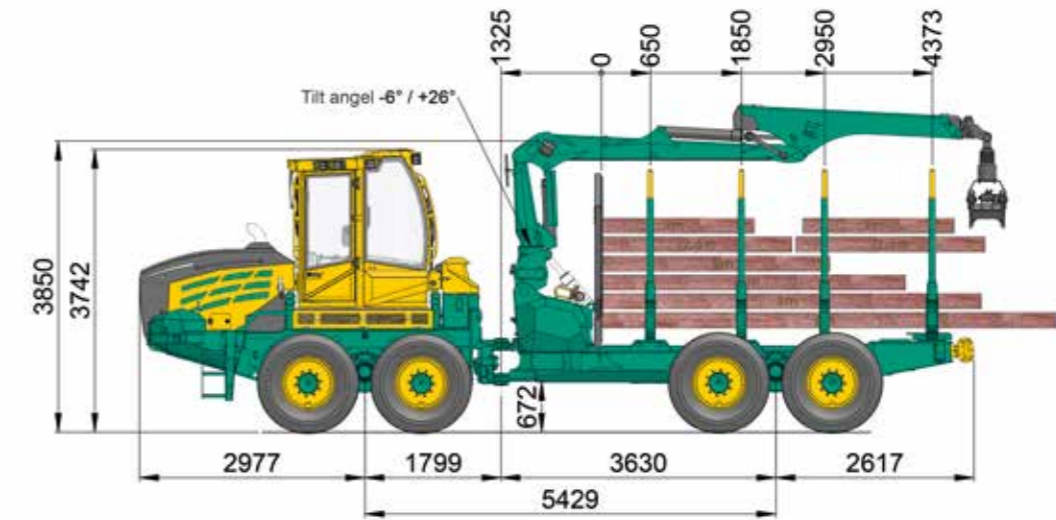
ground-protecting and productive work on extreme slopes or sensitive soils. The quick-change HSW15B and HSW7 traction winches turn your harvester or crane tractor into an impressive slope specialist.



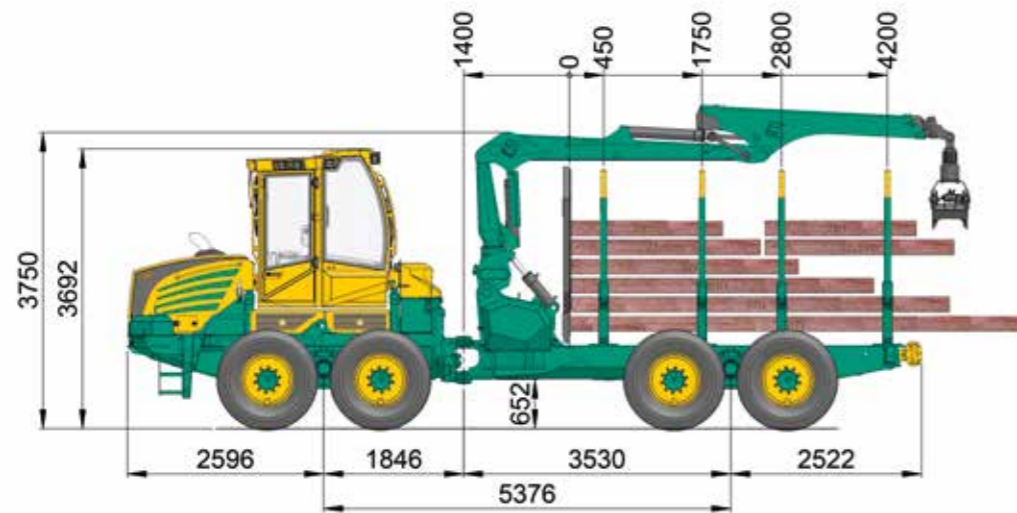
## 208F 9 t with HSW9 auxiliary traction winch and cranetilt



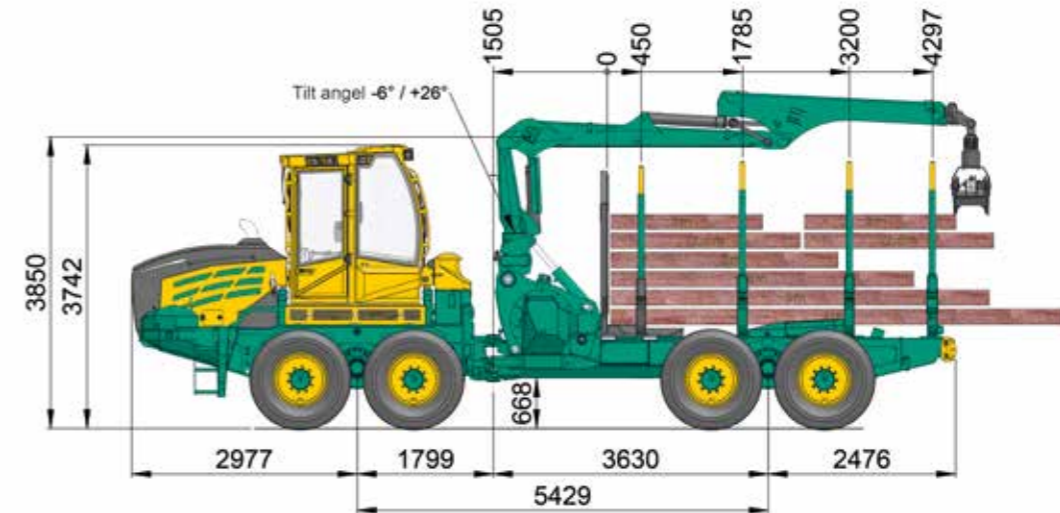
## 208F 14 t with HSW9 auxiliary traction winch and cranetilt



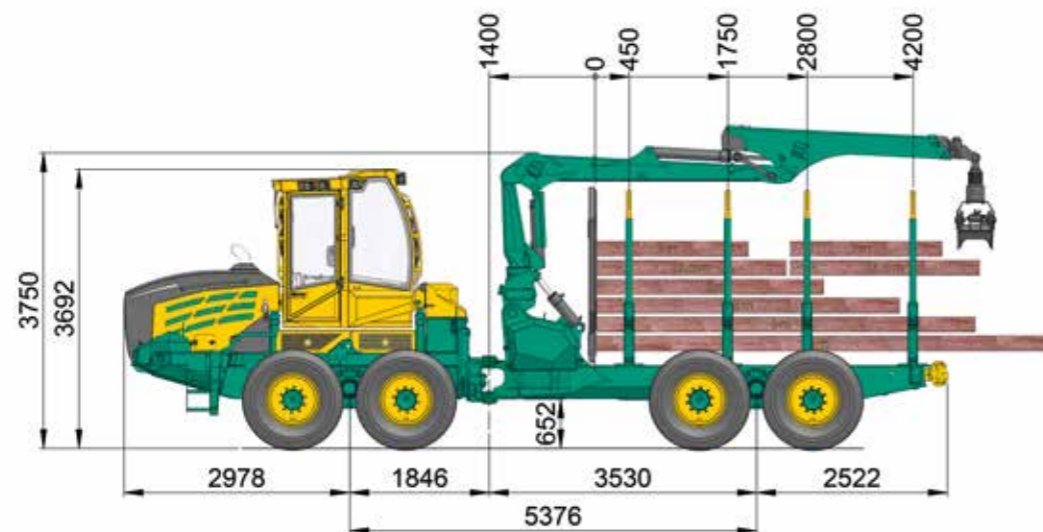
## 208F 10 t with HSW9 auxiliary traction winch and cranetilt



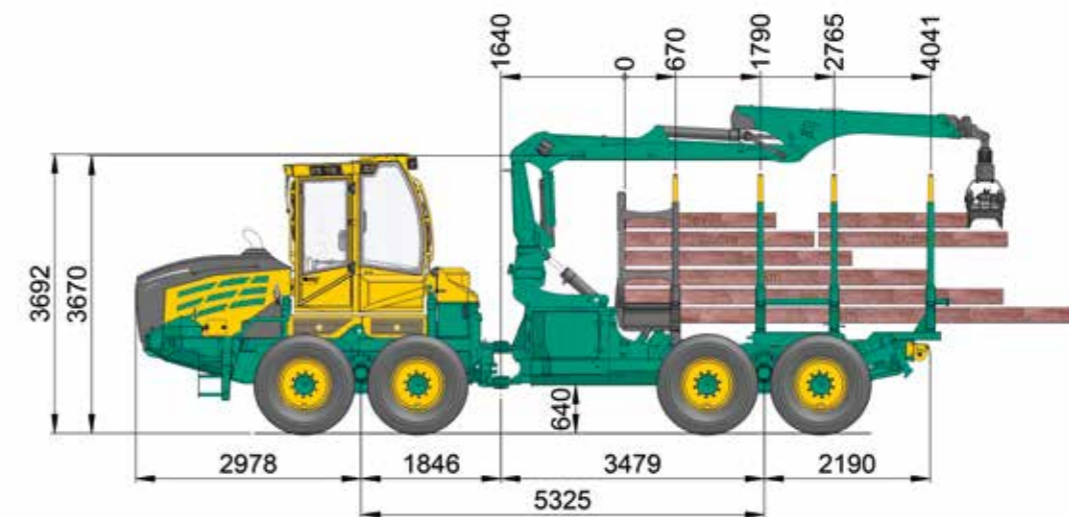
## 208F 14 t with HSW15 auxiliary traction winch and cranetilt



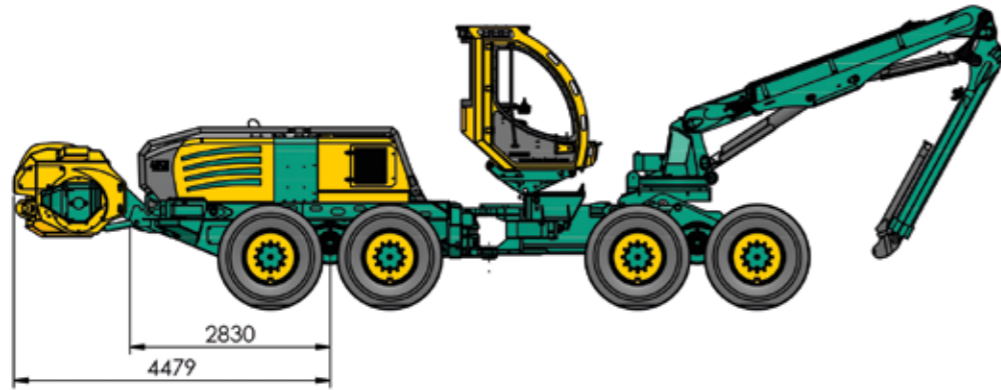
## 208F 11 t with HSW9 auxiliary traction winch and cranetilt



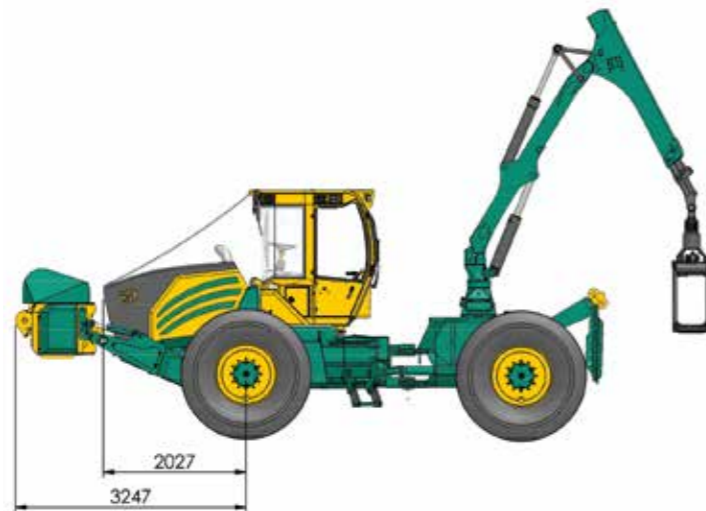
## 208F 11 t Kombi long with HY 32 L-SG-SP and cranetilt



## HSW15B auxiliary traction winch attached to 405H



## HSW7 auxiliary traction winch attached to 904



## HSW7 auxiliary traction winch attached to 208F



Dimensions may vary depending on equipment.

## HSW7

- |   |                       |  |
|---|-----------------------|--|
| ▪ Tractive force lower layer:                   | 70 kN                 | ▪ Integrated rope spooling   |
| ▪ Tractive force upper layer:                   | 63 kN                 | ▪ Integrated camera and lighting   |
| ▪ Stepless tension adjustment via potentiometer |                       | ▪ Housing with mount for HSM quick release system or adaptable for other manufacturers                     |
| ▪ Rope capacity: for rope Ø 14 mm:              | 285 m                 | ▪ Pressure transfer for winch control via screw couplings, quick-change including electrical transfer plug |
| ▪ Weight without rope:                          | 1.000 kg              |  |
| ▪ Radio remote control:                         | HBC-Patrol-S, Typ-511 |  |

## HSW9

- |   |                       |                                  |
|---|-----------------------|----------------------------------|
| ▪ Tractive force lower layer:                   | 80 kN                 | ▪ Integrated rope spooling       |
| ▪ Tractive force upper layer:                   | 45 kN                 | ▪ Integrated camera and lighting |
| ▪ Stepless tension adjustment via potentiometer |                       |                                  |
| ▪ Rope capacity: for rope Ø 14 mm:              | 240 m                 |                                  |
| ▪ Radio remote control:                         | HBC-Patrol-S, Typ-511 |                                  |

## HSW15 / HSW15B

- |   |                       |  |
|---|-----------------------|--|
| ▪ Tractive force constant:                      | 120 kN                | ▪ Integrated rope spooling   |
| ▪ Stepless tension adjustment via potentiometer |                       | ▪ 2 Cameras and lighting integrated  |
| ▪ Rope capacity: for rope Ø 16 mm:              | 450 m                 | ▪ Housing with mount for HSM quick release system or adaptable for other manufacturers                     |
| ▪ Weight without rope:                          | 1.850 kg              | ▪ Pressure transfer for winch control via screw couplings, quick-change including electrical transfer plug |
| ▪ Radio remote control:                         | HBC-Patrol-S, Typ-511 |  |

## HY 32 L-SG-SP

- |   |                       |                                    |        |
|---|-----------------------|------------------------------------|--------|
| ▪ Tractive force constant:                      | 70 kN                 | Second rope drum for logging:      |        |
| ▪ Stepless tension adjustment via potentiometer |                       | ▪ Tractive force lower layer:      | 160 kN |
| ▪ Rope capacity: for rope Ø 14 mm:              | 240 m                 | ▪ Tractive force upper layer:      | 64 kN  |
| ▪ Radio remote control:                         | HBC-Patrol-S, Typ-511 | ▪ Rope capacity: for rope Ø 18 mm: | 70 m   |
| ▪ Integrated rope spooling                      |                       |                                    |        |
| ▪ Integrated camera and lighting                |                       |                                    |        |

## HSM service and quality

### Expert – reliable – fast



The name HSM is associated with excellent quality and innovation as well as first-class spare parts and other service. Expert technical support and maximum parts availability ensure our customers' competitiveness. Our dealers and partners around the world ensure this also. Ease of access and service are at the forefront in the design of the machine.

For this purpose, HSM offers state-of-the-art tools for optimising and monitoring the important machine data with the Ecommand intelligent control system and a remote diagnostics system.

This makes a critical contribution to the efficiency and productivity of a state-of-the-art forestry business.

Technik die Freude macht.



Your partner for state-of-the-art  
and sustainable forestry



**Table of contents**

Model series 805..... page 15-21  
Model series 904..... page 22-25  
Model series 954..... page 26-27  
Model series Skidder..... page 30-31  
Model series 208F..... page 40-51  
Model series 405H..... page 56-59  
Steep slope technology... page 62-65

Shape the future with us...



Technik die Freude macht.



# TECHNIK DIE FREUDE MACHT

**HSM Hohenloher Spezial-  
Maschinenbau GmbH**

D-74635 Neu-Kupfer

Im Greut 10

Tel. + 49 (0) 7944 9191-0

Fax + 49 (0) 7944 9191-77

Mail [info@hsm-forest.com](mailto:info@hsm-forest.com)

[www.hsm-forest.com](http://www.hsm-forest.com)

