

Cranes HSM ZL-machines

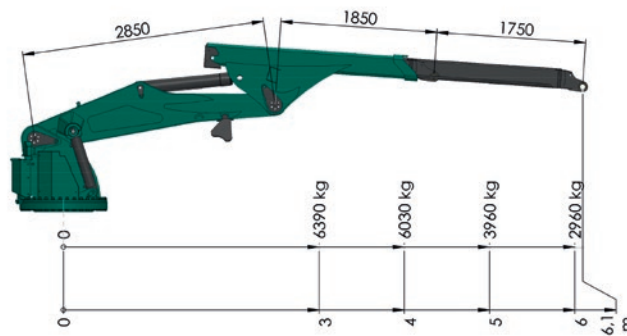


Technik die Freude macht.

Overview cranes for 805HD ZL / 904ZL

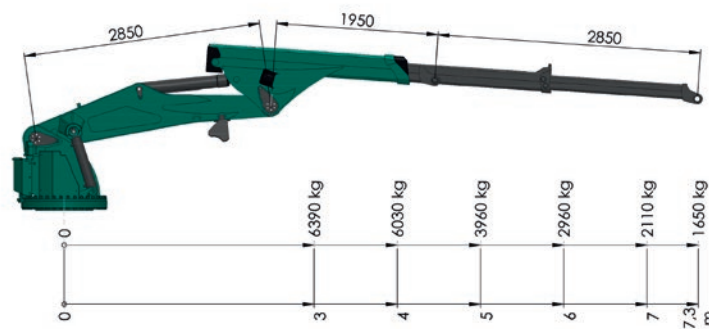
Crane S3-6.1:

Lifting moment gross	270 kNm
Slewing torque	80 kNm
Slewing angle	210°



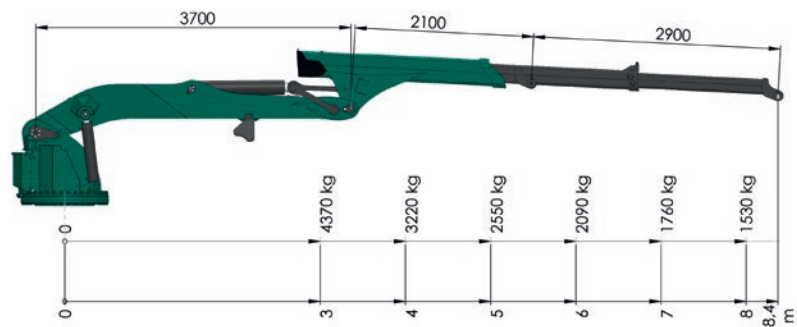
Crane S3-7.5:

Lifting moment gross	270 kNm
Slewing torque	80 kNm
Slewing angle	210°



Crane S3-8.4:

Lifting moment gross	200 kNm
Slewing torque	70 kNm
Slewing angle	210°



Crane S3-10:

Lifting moment net	200 kNm
Slewing torque	70 kNm
Slewing angle	210°

